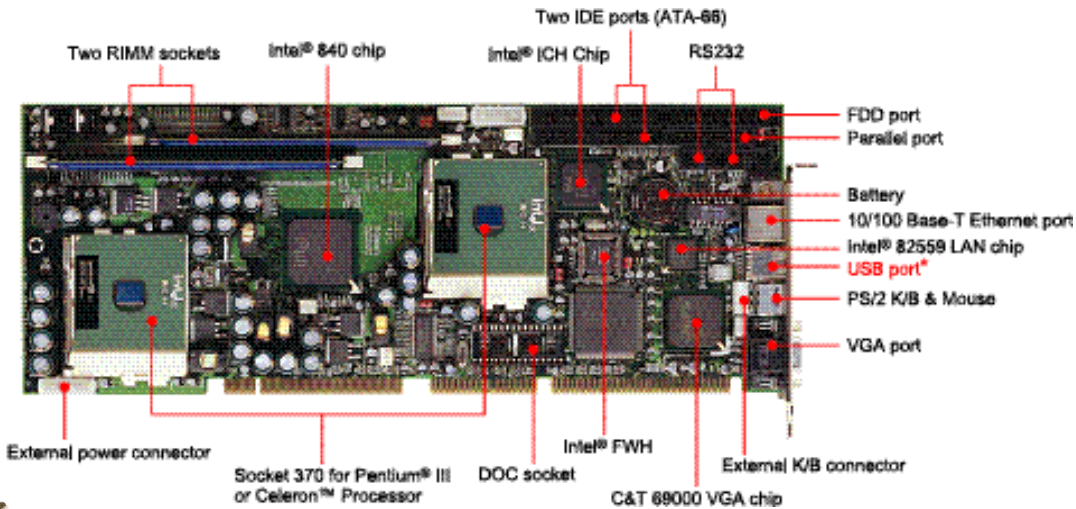


# ACTI-777

The Most Advanced PICMG SBC, Based on Dual Intel® Pentium® III Processors with Intel Graphics and Ethernet Solutions (RIMM Memory Supported)



- Support dual Socket 370 Pentium® III (FC-PGA) processor with 100MHz FSB up to 850MHz
- Support two channel RDRAM memory up to 2GB
- Support C&T 69000 chips
- On board Intel® 82559 10/100 Base-T Ethernet
- Support Ultra DMA33/66 IDE mode
- PCI Bus spec V2.1 compliant
- Full-size all-in-one SBC with PICMG 1.0 Rev 2.0 compliant
- Reserve space around IDE interface connector to fit DOM (Disk-On-Module)
- Fully support ATX function with WOL, Modem-Ring On, K/B & Mouse wake-up
- ISA64 driving capability
- Hardware monitoring and watchdog timer for system protection

\*\*\* Only one USB port available when installed into standard chassis

## Specifications

### CPU

- Support one or two Intel® Pentium® III processors for the PGA370 Socket

### Chipset

- Intel® i840 AGPset, including
  - 82840 memory controller hub (MCH)
  - 82801 I/O controller hub (ICH)
  - 82802 firmware hub (FWH)

### Memory

- Two 184-pin RIMM sockets with max. 2GB capacity

### BIOS

- Award BIOS-Plug-n-Play compatible

### On-Board I/O

- Support two EIDE channels up to four HDDs (Ultra DMA 33/66) 2S/1P, two USB ports\* and one IrDA infrared port

### Watchdog Timer

- Watchdog timeout period programmable via S/W from 0.5 to 254.5 sec./min.
- Can be enabled/disabled by jumper setting

### PS/2 Mouse

- Routed to 6-pin mini-DIN on rear bracket
- Shared 6-pin mini-DIN connector with K/B (Auto-swap)

### Power Requirement

- +5V@10A (typ.), +12V@300mA, -12V@30mA

### Board Dimension

- 338.5(L) x 129(W) mm
- 13.33"(L) x 5.1"(W)
- 8-layer PCB

### Operating Temperature

- 0 to +55°C

### Storage Temperature

- -20 to +75°C

## Additional Functionality

### Integrated Graphics Controller

- C&T 69000 Video display chipset
- Adopt PCI interface, built-in 2MB VRAM
- DB15 connector at the rear panel
- Support display resolution up to 1280x1024, 256 colors

### Ethernet 10/100 Controller

- Intel® 82559 PCI fast Ethernet controller
- RJ-45 connector at the rear panel
- Support IEEE 802.3 auto-negotiation algorithm of full-duplex and half-duplex operation for 10Mb/s and 100Mb/s (NWAY)

### DiskOnChip Flash Disk

- Support M-Systems' flash disk up to 288MB

### System Hardware Monitor

- Winbond super I/O is used to monitor supply voltages to user programmable voltage levels within 16 mV
- Separately monitor up to three fan tachometer inputs for rotation speeds and three temperatures sense via two thermistors circuit
- Beep alarms for failed fan out, over/under voltage of DC voltages, and over temperature threshold

## Ordering Guide

### ACTI-777

The most advanced PICMG SBC based on dual Intel® Pentium® III processors with Intel® graphics and Ethernet solutions (RIMM memory supported)

