

TREK-776

Vehicle Mounted Computer with 12.1" TFT LCD and Pentium® M/Celeron® M Processor



Features

- 12.1" TFT LCD with touch screen
- Function keys for 5%~100% brightness control
- Onboard Intel® ULV Celeron® M 600 MHz or Pentium® LV M 1.1 GHz CPU
- Rugged aluminum enclosure and fanless design
- VESA standard for flexible mounting kits
- IP65 dustproof and waterproof seals
- Compatible with Windows® 2000/XP
- Embedded OS Support (Win CE 5.0 or XP Embedded)
- Flexible expansion capability for IEEE 802.11a/b/g, GPS, GSM/GPRS
- Stable and wide range 9 ~ 58 V_{DC} input, Ignition cold crank (min 6V)
- Extreme temperature operating capability

Introduction

The TREK-776 is a vehicle mounted platform designed to withstand the harshest environments. The TREK-776 has a rich variety of optional wireless and wide area network modules for real-time communication and data capture in warehouses, freezers, docks or container yards. The rugged die-cast aluminum enclosure replaces the fan as it helps dissipate heat. TREK-776 has a special design without ventilation holes that makes the front bezel, back cover and sides comply with IP65 standards for protection against dust and water.

The more exposed I/O ports have been placed in the bottom to protect against vertically falling water. With wide temperature tolerance components and a heater for low temperature operation, TREK-776 can operate in freezing environments.

Specifications

- **CPU** Onboard Intel ULV Celeron M 600MHz, 512k L2 cache/
LV Pentium M 1.1GHz, 1MB cache
 - **System Memory** Supports up to 2 GB DDR SDRAM
 - **SSD** Supports one internal CompactFlash type I/II socket
 - **HDD** One IDE interface for 2.5" HDDs
 - **Network (LAN)** 10/100Base-T Ethernet interface; 1000Base-T optional
 - **MiniPCI** One type III A/B slot
 - **PCMCIA** 2 x PCMCIA Type II/1 x Type III *
- * When operate with the WinCE, slot A is lminated and only the PCMCIA slot B is workable.
- **Dimensions (W x H x D)** 310 x 255 x 90 mm
 - **Weight** 4.8 kg

LCD Display

- **Display Type** 12.1" color TFT LCD
- **Resolution (H x V)** XGA 1024 x 768
- **Viewing Angle (H/V)** 160°/160°
- **Luminance** 450 nits, 5% ~ 100% dimmable brightness control
- **Lamp Life Time** 50,000 hours

Touchscreen

- **Type** Analog resistive
- **Controller** USB interface

Power Supply

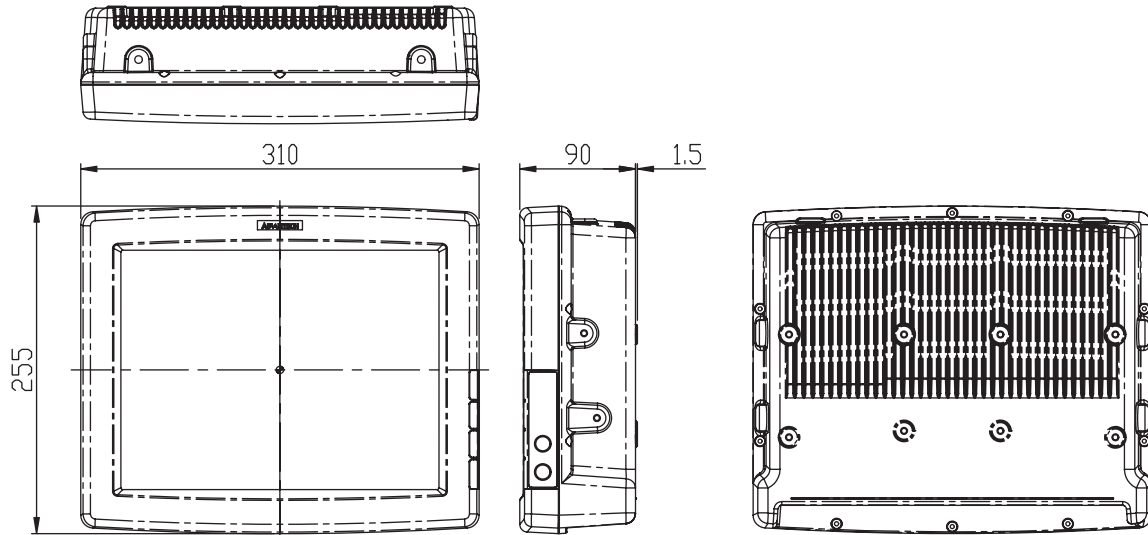
- **Input Voltage** 9 ~ 58 V_{DC} input, Ignition cold crank (min 6V)

Environmental Specifications

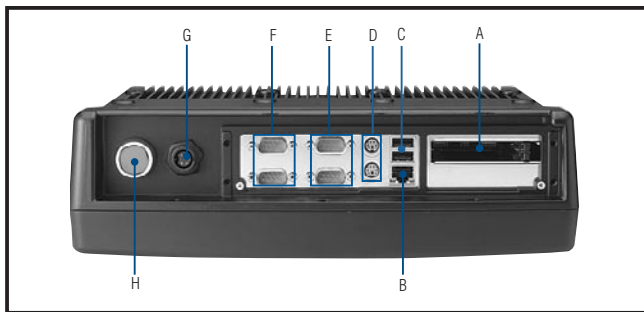
- **Operating Temperature*** 0 °C ~ 40° C (32° F ~ 104° F) for HDD
-30° C ~ 60° C (-22° F ~ 140° F) for wide operating
temperature HDD or CF card
- **Relative Humidity** 10% ~ 95% @ 40° C, non-condensing
- **Shock** 30 G peak acceleration (11 ms duration)
- **EMC** CCC, CE, FCC Class B
- **Safety** CCC, UL, CUL, CE
- **Vibration** 1 G (operating with HDD); 3 G (operating with CF card)

Dimensions

Unit: mm



Fully Integrated I/O



- A: 2 x PCMCIA Type II / 1 x Type III
- B: 10/100Base-T Ethernet
- C: 2 x USB v2.0
- D: PS/2 keyboard and mouse port

- E: 2 x serial ports (RS-232/422/485)
- F: 2 x serial ports (RS-232)
- G: DC power inlet (IP66)
- H: Power switch (IP65)

Ordering Information

- **TREK-776R-A0E** TREK-776 Bare with Celeron-M 600Hz 512K L2, RES. TS, HDD holder
 - **TREK-776R-CEA0E** TREK-776 with Celeron-M 600Hz 512K L2, 128MB DDR, 128MB CF, WinCE5.0, RES.TS
 - **TREK-776R-XPEA0E** TREK-776 with Celeron-M 600Hz 512K L2, 512MB DDR, 40GB HDD, WinXPE, RES.TS
- * Intel Pentium-M 1.1GHz CPU, SDRAM, 2.5" HDD and CF are available as optional items

Accessories

- **TREK-UNIARM-01** Universal arm
 - **I/O-CV-01** IP53 I/O cover
 - **RAM-MOUNT-03** VESA plate RAM mount with 3.68" diameter base
 - **WLAN-325HAE** 11 Mbps IEEE 802.11b compliant PCMCIA WLAN Card for USA *
 - **WLAN-325HUE** 11 Mbps IEEE 802.11b compliant PCMCIA WLAN Card for Europe *
- * Detachable Antenna, RoHS compliant

Optional Items

- IEEE 802.11b/g MiniPCI WLAN module
- GPS receiver module
- Quad band GSM/GPRS module