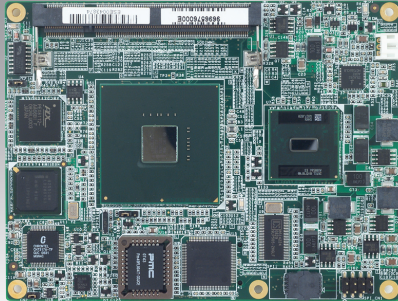


SOM-5760

Intel® Atom™ SCH US15W XL
COM-Express CPU Module

NEW



Features

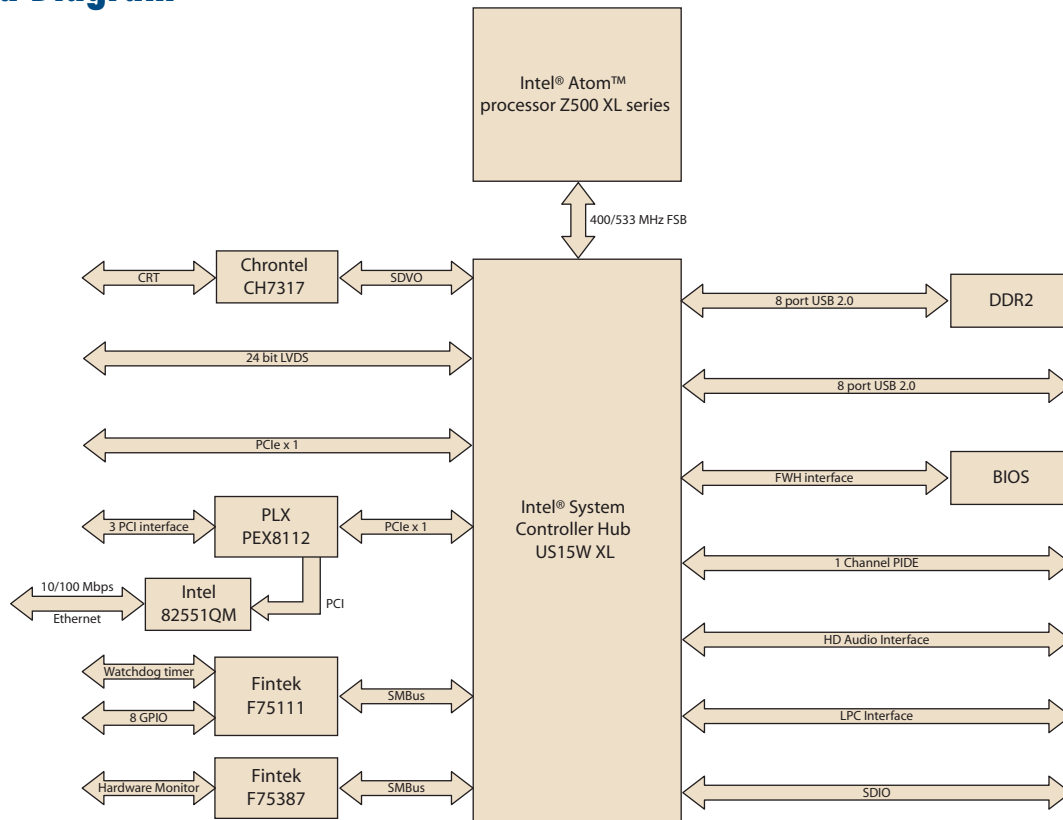
- Intel® Atom™ processor Z500 XL series 1.1 GHz, 1.6 GHz
- Intel System Controller Hub US15W XL
- Supports DDR2 SODIMM up to 2 GB
- Intel Graphics Media Accelerator 500, DirectX 9 H.264, MPEG2, MPEG4, VC1, and WMV9 HW decoder
- Display type: 24-bit LVDS/VGA
- Intel 10/100 Mbps LAN
- LPC, 1 PCIe x1, 3 PCI master
- 8 x USB 2.0, 1 EIDE, 8-bit GPIO, SDIO



Specifications

Form Factor		COM-Express, Module Pin-out Type II	
Processor System	CPU	Intel Atom processor Z500 XL series 1.1 GHz, 1.6 GHz	
	Front Side Bus	400/533 MHz	
	System Chipset	Intel System Controller Hub US15W XL	
	BIOS	AWARD 8 Mbit Flash BIOS	
Memory	Technology	DDR2 400/533 MHz	
	Max. Capacity	up to 2 GB	
	Socket	1 x 200-pin SODIMM socket	
Display	Chipset	Intel SCH US15W XL	
	VRAM	Shared system memory up to 256 MB	
	Graphics Engine		Intel GMA 500 DirectX 9Ex Support H.264, MPEG2 and MPEG4 hardware decoder
		LCD	24-bit single channel LVDS
	VGA	Up to 1600 x 1200 @ 24-bit	
	SDVO	SDVO Port is alternative of VGA function	
	Dual Display	CRT + LCD	
Ethernet	Chipset	Intel 82551QM 10/100 Mbps Ethernet	
	Speed	10/100 Mbps IEEE 802.3u 100 Mbps Fast Ethernet	
WatchDog Timer		256 timer intervals, from 0 to 255 sec. or min, setup by software, jumperless selection, generates system reset	
Expansion		LPC, 1 PCIe x1, 3 PCI master, 4-bit SDIO1.1	
I/O	PATA	1 x EIDE (UDMA 100)	
	USB	8 x USB 2.0	
	Audio	High definition audio interface	
	GPIO	8-bit GPIO	
Power	Power Type	ATX, AT	
	Power Supply Voltage	+12 V, and +5 VSB for ATX, +12 V for AT	
	Power Consumption (Typical)	TBD	
	Power Consumption (Max, test in HCT)	TBD	
Environment	Operating Temperature	0 ~ 60° C (32 ~ 140° F)	
	Operating Humidity	0% ~ 90% relative humidity, non-condensing	
Mechanical	Dimensions	125 x 95 mm (4.92" x 3.74")	

Board Diagram



Ordering Information

Part No.	CPU	L2 Cache	Chipset	LVDS	VGA	SDVO	10/100 LAN	HD Audio	PCIe x 1	PCI	USB 2.0	LPC	SMBUS	ATX Power	AT Power	Thermal Solution	Operating Temp.
SOM-5760-S1A1E	ATOM Z510 1.1 GHz	512K L2	Intel SCH US15W XL	24-bit	Yes	See Note 1	1	Yes	1	3	8	1	1	Yes	Yes	Passive	0 – 60° C
SOM-5760-S6A1E	ATOM Z530 1.6 GHz	512K L2	Intel SCH US15W XL	24-bit	Yes	See Note 1	1	Yes	1	3	8	1	1	Yes	Yes	Passive	0 – 60° C

Note 1: SDVO Port is alternative of VGA function

Note 2: Wide range temp will be optional supported with 1.1G or 1.33G CPU

Note3: Without Lan and PCI, 2 PCIe x1 could be optional

Development Board

Part No.	Description
SOM-DB5700-00A2E	Development Board for COM-Express

Packing List

Part No.	Description	Quantity
	SOM-5760 CPU Module	1
	Utility CD	1
	Heatspreader	1