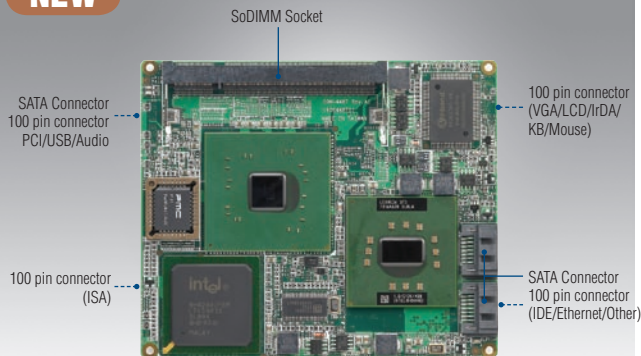


SOM-4487

Intel® Pentium® M, 915GME/910GMLE ETX CPU Module

NEW



Features

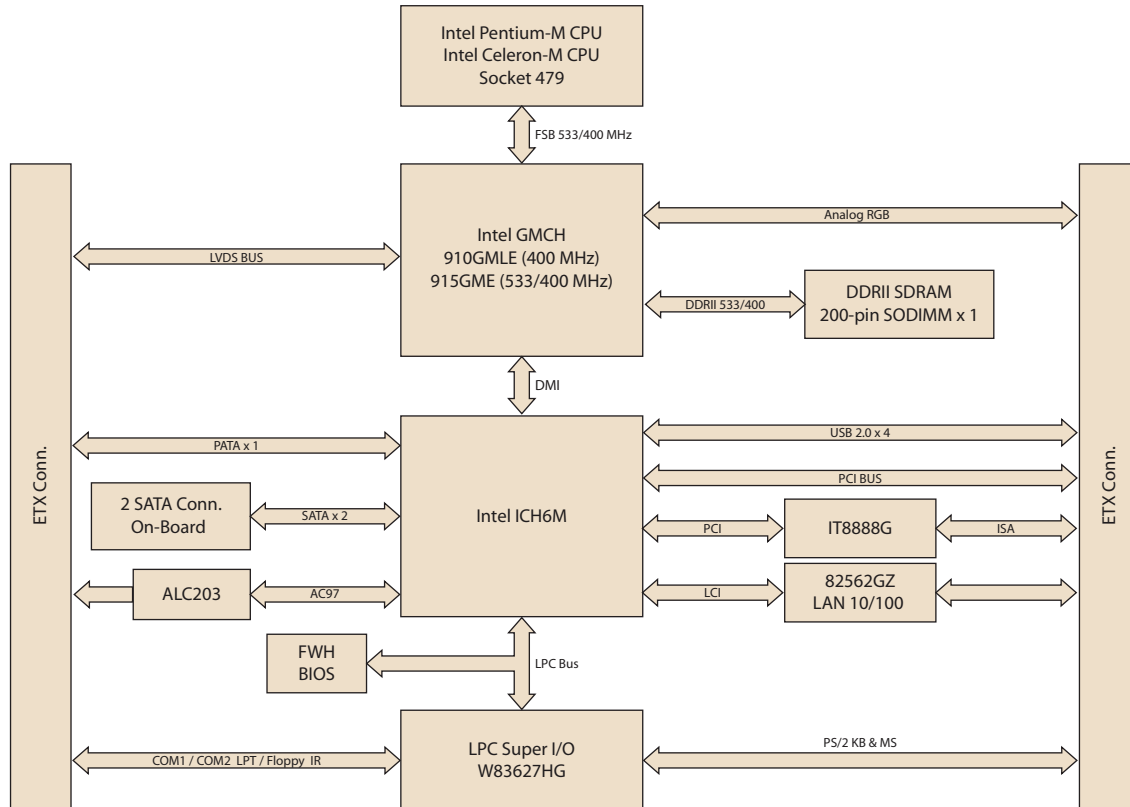
- Intel® Pentium M/Celeron® M processor
- Intel 915GME (910GMLE)/ICH6M Chipsets
- Supports one DDR2 SODIMM up to 2 GB
- Mobile Intel GMA900 3D/2D engine
- Display type: 2 x 18-bit LVDS/ VGA
- Intel 10/100 Mbps LAN
- Expansion: 4 PCI master, ISA
- 4 x USB 2.0, 2 x SATA on board, 1 EIDE, 2 COMs, FDD/LPT port



Specifications

Form Factor		ETX 3.0	
Processor System	CPU	Intel Pentium M/Celeron M Processor	
	Front Side Bus	533/400 MHz	
	System Chipset	Intel 915GME (910GMLE) GMCH/ICH6M	
	BIOS	AWARD 4 Mbit Flash BIOS	
Memory	Technology	DDR2 400/533 MHz (400 MHz for 910GMLE)	
	Max. Capacity	up to 2 GB	
	Socket	1 x 200-pin SODIMM socket	
Display	Chipset	Intel 915GME(910GMLE)	
	VRAM	DVMT 3.0 support up to 128 MB	
	Graphics Engine	Mobile Intel GMA900 3D/2D engine	
	LCD	2 x 18-bit LVDS (2 x 24-bit by customized BIOS)	
	VGA	up to 2048 x 1536	
	Dual Display	CRT + LCD	
Ethernet	Chipset	Intel 82562GZ 10/100 Mbps Ethernet	
	Speed	10/100 Mbps	
WatchDog Timer		256 timer intervals, from 1 to 255 sec or min setup by software, jumperless selection, generates system reset	
Expansion		4 x PCI master, ISA	
I/O	PATA	1 x EIDE (UDMA 100)	
	SATA	2 x SATA (On ETX CPU module)	
	USB	4 x USB 2.0	
	Audio	Realtek ALC203 AC97 Codec support Line-in/out, MIC-in	
	GPIO	2-bit GPIO (Support by customized BIOS)	
	COM	2 COM ports	
	FDD/LPT	1 x FDD or LPT	
Power	Power Type	ATX, AT	
	Power Supply Voltage	+5 V only (+5 VSB needs for ATX)	
	Power Consumption (Typical)		Typical: (1 GB DDR2 533)
			+5 V @ 3.66 A (Intel Pentium M 760, 2.0G) (915GME)
			+5 V @ 2.63 A (Intel Pentium M LV 738, 1.4G) (915GME)
			+5 V @ 2.40 A (Intel Celeron M 373, 1.0G) (910GMLE)
		+5 V @ 2.37 A (Celeron M 373 0KB, 1.0G) (910GMLE)	
Power Consumption (Max, test in HCT)		+5 V @ 2.23 A (Celeron M 600MHz) (910GMLE)	
		Max: (1 GB DDR2 533)	
		+5 V @ 6.12 A (Intel Pentium M 760, 2.0G) (915GME)	
		+5 V @ 3.84 A (Intel Pentium M LV 738, 1.4G) (915GME)	
		+5 V @ 3.13 A (Intel Celeron M 373, 1.0G) (910GMLE)	
Environment	Operating Temperature	0 ~ 60° C (32 ~ 140° F)	
	Operating Humidity	0% ~ 90% relative humidity, non-condensing	
Mechanical	Dimensions	114 x 95 mm (4.5" x 3.74")	

Board Diagram



Ordering Information

Part No.	CPU	L2 Cache	Chipset	LVDS	VGA	10/100 LAN	AC97 Audio	PCI	USB 2.0	SATA	ATX Power	AT Power	Thermal Solution	Operating Temp.
SOM-4487FL-00A1E	Socket		915GME	2 x 18-bit	Yes	Yes	Yes	4	4	2	Yes	Yes	Active	0 ~ 60° C
SOM-4487FL-S4A1E	Pentium M LV 738	2 MB	915GME	2 x 18-bit	Yes	Yes	Yes	4	4	2	Yes	Yes	Active	0 ~ 60° C
SOM-4487FL-S1A1E	Celeron M 373	512 KB	910GMLE	2 x 18-bit	Yes	Yes	Yes	4	4	2	Yes	Yes	Passive	0 ~ 60° C
SOM-4487FL-M0A1E	Celeron M 600 MHz	512 KB	910GMLE	2 x 18-bit	Yes	Yes	Yes	4	4	2	Yes	Yes	Passive	0 ~ 60° C
SOM-4487FL-S0A1E	Celeron M 1 GHz	0 KB	910GMLE	2 x 18-bit	Yes	Yes	Yes	4	4	2	Yes	Yes	Passive	0 ~ 60° C

Development Board

Part No.	Description
SOM-DB4400-00A2E	Development Board for ETX Rev.A2
SOM-DB4700-00A1E	Development Board for ETX Rev.A1

Optional Accessories

Part No.	Description
1960012091T00S	Semi-Heatsink 114 x 96 x 15 mm
1750001980	Semi-Cooler 114 x 96 x 15 mm 12 V Fan

Packing List

Part No.	Description	Quantity
	SOM-4487 CPU Module	1
	Utility CD	1
1960028600N00B	Heatspreader (SOM-4487FL-00A1E only)	1
1960028601N00B	Heatspreader (SOM-4487FL-M0A1E, SOM-4487FL-S0A1E, SOM-4487FL-S1A1E, SOM-4487FL-S4A1E)	1