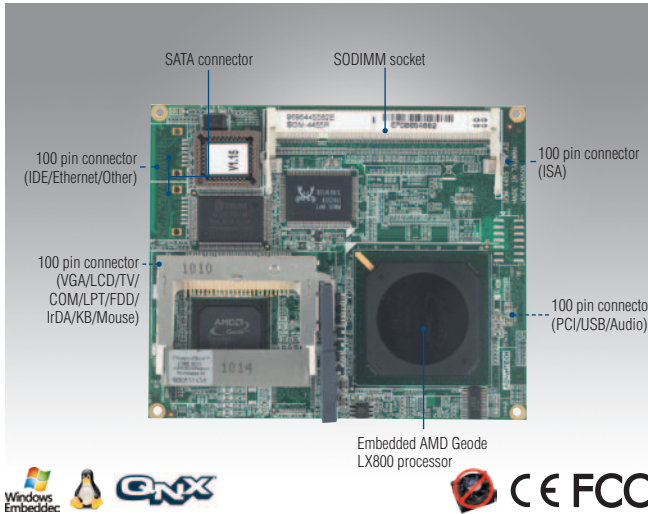


SOM-4455

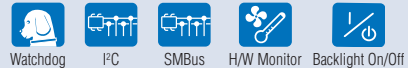
AMD Geode™ LX800 ETX CPU Module



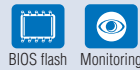
Features

- CPU: Embedded AMD Geode™ LX800 CPU+ AMD CS5536 Chipset
- Graphics: AMD CS5536 Integrated 2D engine, Supports 24-bit LVDS or 18-bit TTL
- Memory: Supports one DDR-400 memory SODIMM sockets up to 1GB
- Interface & IO: Supports 1 IDE, 2 SATA, 4 USB2.0, 2 COMs, FDD/LPT, Type II CF, Line In/Out, Mic-In
- Software support: Supports embedded software APIs and Utilities

Software APIs:



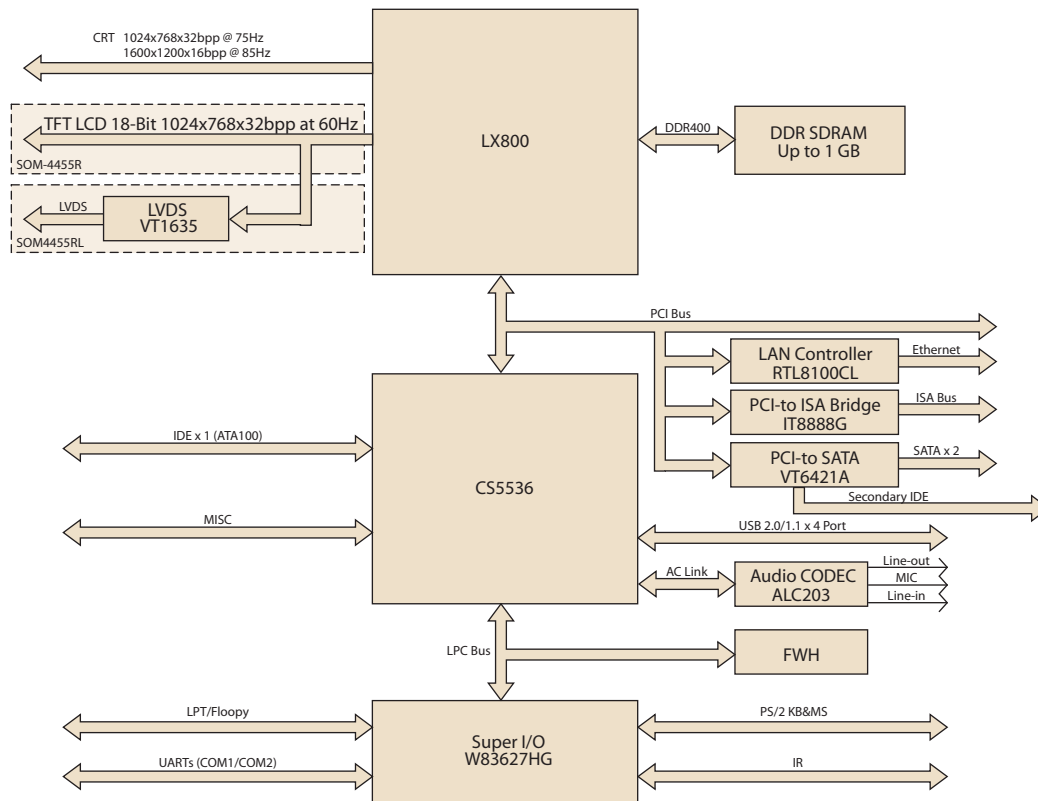
Utilities:



Specifications

Form Factor		ETX 3.0
Processor System	CPU	AMD Geode LX800
	Front Side Bus	33 MHz
	System Chipset	AMD Geode LX800/CS5536
	BIOS	AWARD 4 Mbit Flash BIOS
Memory	Technology	DDR 200/266/333/400 MHz
	Max. Capacity	up to 1 GB
	Socket	1 x 200-pin SODIMM socket
Display	Chipset	AMD CS5536
	VRAM	Shared system memory up to 254 MB
	Graphics Engine	AMD CS5536 2D engine
	LCD	24-bit single channel LVDS or 18-bit single channel TTL
	VGA	up to 1024 x 768
	Dual Display	CRT + LCD (Simultaneous mode)
Ethernet	Chipset	RTL8100CL-LF 10/100 Mbps Ethernet
	Speed	10/100 Mbps
WatchDog Timer		256 timer intervals, from 1 to 255 sec or min setup by software, jumperless selection, generates system reset
Expansion		4 x PCI master (3 x PCI master for SATA version), ISA
I/O	PATA	1 x EIDE (UDMA 100) (2 x EIDE for SATA version)
	SATA	2 x SATA on ETX CPU module (For SATA version)
	USB	4 x USB 2.0
	Audio	Realtek ALC203 AC97 Codec support Line-in/out, Mic-in
	GPIO	1-bit GPIO, 2-bit GPE
	COM	2 COM ports
	FDD/LPT	1 x FDD or LPT
	SSD	1 x Type II CF slot
Power	Power Type	ATX, AT
	Power Supply Voltage	+5 V only (+5 VSB needs for ATX)
	Power Consumption (Typical)	Typical: (1 GB DDR 333) +5 V @ 1.80 A (AMD LX800)
	Power Consumption (Max, test in HCT)	Max: (1 GB DDR 333) +5 V @ 2.01 A (AMD LX800)
	Operating Temperature	0 ~ 60° C (32 ~ 140° F)
Environment	Operating Humidity	0% ~ 90% relative humidity, non-condensing
Mechanical	Dimensions	114 x 95 mm (4.5" x 3.74")

Board Diagram



Ordering Information

Part No.	CPU	L2 Cache	Chipset	LVDS	VGA	10/100 LAN	AC97 Audio	PCI	USB 2.0	ATA	ATX Power	AT Power	Thermal Solution	Operating Temp.
SOM-4455R-L0A2E	AMD LX800	128 KB	LX800	-	Yes	Yes	Yes	4	4	-	Yes	Yes	Passive	0 ~ 60° C
SOM-4455RL-L0A2E	AMD LX800	128 KB	LX800	24-bit	Yes	Yes	Yes	4	4	-	Yes	Yes	Passive	0 ~ 60° C
SOM-4455R-LSA2E	AMD LX800	128 KB	LX800	-	Yes	Yes	Yes	3	4	2	Yes	Yes	Passive	0 ~ 60° C
SOM-4455RL-LSA2E	AMD LX800	128 KB	LX800	24-bit	Yes	Yes	Yes	3	4	2	Yes	Yes	Passive	0 ~ 60° C
SOM-4455ZR-L0A2E	AMD LX800	128 KB	LX800	-	Yes	Yes	Yes	4	4	-	Yes	Yes	Passive	-20~80° C
SOM-4455ZRL-L0A2E	AMD LX800	128 KB	LX800	24-bit	Yes	Yes	Yes	4	4	-	Yes	Yes	Passive	-20~80° C
SOM-4455ZR-LSA2E	AMD LX800	128 KB	LX800	-	Yes	Yes	Yes	3	4	2	Yes	Yes	Passive	-20~80° C
SOM-4455ZRL-LSA2E	AMD LX800	128 KB	LX800	24-bit	Yes	Yes	Yes	3	4	2	Yes	Yes	Passive	-20~80° C

Development Board

Part No.	Description
SOM-DB4400-00A2E	Development Board for ETX Rev.A2
SOM-DB4700-00A1E	Development Board for ETX Rev.A1

Packing List

Par No.	Description	Quantity
	SOM-4455 CPU Module	1
	Utility CD	1
1960007057	Heatspreader	1

Embedded OS

OS	Part No.	Description
WinCE 6.0 Pro	2070001579	CE60 Pro GX3 V1.0 ENG
Win XPE 2008	2070007910	XPE WES2009 GX3 LX800 V4.0 MUI24
QNX 6.4.1		BSP ready