

PPC-S155T

UltraSlim™ Panel PC with 15" Color TFT LCD
Intel® Pentium®/Celeron® M Processor



Features

- 15" TFT XGA LCD
- Intel® Celeron®-M CPU up to 1.5 GHz/Pentium®-M up to 2.0 GHz
- System memory up to 2 GB DDR2 SDRAM
- Built-in speakers
- One Mini PCI socket
- Gigabit Ethernet
- Meets VESA standard
- Supports one internal CompactFlash® Type II socket (IDE interface)
- UltraSlim™ profile: only 49 mm (1.93") in depth
- ROHS compliant

Introduction

PPC-S155T is a high performance and UltraSlim 15" Panel Computer, incorporating all the features of a powerful computer packed into a slender, stylish housing. It is built with a 15" TFT XGA LCD, a high performance and low power consumption Intel Pentium/Celeron-M CPU up to 2.0 GHz, and Intel Graphics Media Accelerator 900 (Intel GMA 900) engine. The PPC-S155T provides a state-of-the-art information terminal or computing platform for POI, POS, HMI and Kiosk applications. The compact and slim design makes the PPC-S155T a breeze to install when space is limited.

Specifications

- **CPU** Supports Socket 478 based Intel Celeron-M 1.5 GHz/ Pentium-M up to 2.0 GHz Processor
- **Memory** Supports up to 2 GB DDR2 SDRAM SODIMM
- **SSD** Supports 1 x Internal CompactFlash Type II socket
- **HDD** 1 x SATA HDD interface (2.5" HDD bay)
- **FDD (optional)** Supports 720 KB/1.44 MB FDD
- **CD-ROM Drive (optional)** Compact 24X or above
- **Combo Drive (optional)** DVD/CD-RW 8D/24W/24E/24R or above
- **DVD+/-RW (optional)** Optional 8X DVD+R/4X DVD-R/4X DVD+RW/4X DVD-RW/24X CD-R/10X CD-RW writing 8X DVD/24X CD read or above
- **Network (LAN)** Gigabit Ethernet
- **Bus Expansion** 1 x Mini PCI expansion slot
- **Front Panel Protection** IP 65/NEMA 4 compliant
- **Dimensions (W x H x D)** 375 x 299 x 49 mm (14.76" x 11.77" x 1.93")
- **Weight** 4.9 kg (10.78 lbs)

LCD Display

- **Display Type** 15" TFT
- **Resolution** 1024 x 768
- **Color** 256 K or above
- **Pixel Pitch** 0.297 x 0.297 mm
- **Brightness** 350 cd/m² (Typ.)
- **Viewing Angle** 60° (left), 60° (right), 40° (up), 60° (down)
- **Simultaneous Mode** Yes (Optional)
- **Backlight MTBF** 50,000 hrs

Touchscreen (Optional)

Type	Analog Resistive	Capacitive
Resolution	Continuous	1024 x 1024
Light Transmission	80%	91.5%
Power Consumption	+5 V @ 200 mA	+5 V @ 100 mA
Durability (Touches Lifetime)	35 millions	225 millions

Power adaptor

- **Output Rating** 72W / 90W (Optional)
- **Output Voltage** 19 V_{DC} @ 3.79 A (Typical)
- **Input range** 100 V_{AC} ~ 240 V_{AC}

Environmental Specifications

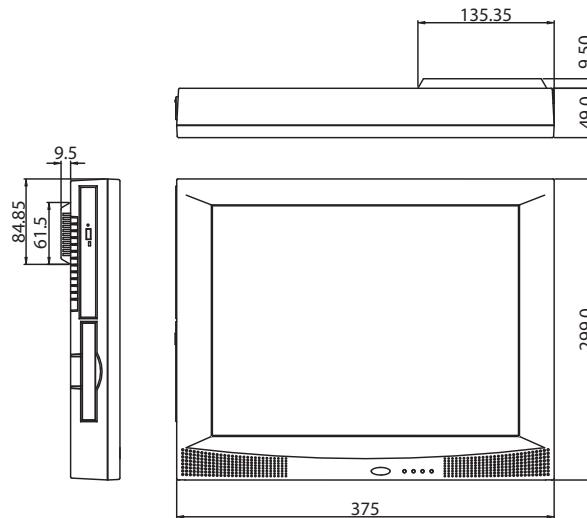
- **Operating Temperature** 0 ~ 45° C (32 ~ 113° F)
- **Relative Humidity** 10 ~ 95% @ 40° C, non-condensing
- **Shock** 10 G peak acceleration (11 msec. duration)
- **EMC** CE, FCC Class B, BSMI, CCC
- **Safety** UL, CE, CB, BSMI, CCC

Ordering Information

Part No.	Description
PPC-S155T-090-XE	PPC-S155T Bare BOM with Glass
PPC-S155T-R90-XE	PPC-S155T Bare BOM with Resistive touchscreen.
PPC-S155T-C90-XE	PPC-S155T Bare BOM with Capacitive touch screen.
PPC-S153 STAND	Stand kit for PPC-S153T/S154T/S155T
PPC-S15X STAND-BLK	Black stand kit for PPC-S153T/S154T/S155T
PPC-S154 WL-MT	Wall mount kit for PPC-S154T/S155T
PPC-ARM-A03	VESA standard ARM for PPC series

Dimensions

Unit: mm (inch)



Feature Details

High-performance CPU and chipset

The PPC-S155T's Socket 478 CPU board supports a 533 MHz front side bus. The Intel Pentium M processor utilizes a new micro architecture to meet the current and future demands of high-performance, low-power embedded computing. The Intel 915 GM Express chipset integrates the Intel Graphics Media Accelerator 900 (Intel GMA 900) for superior graphics performance.

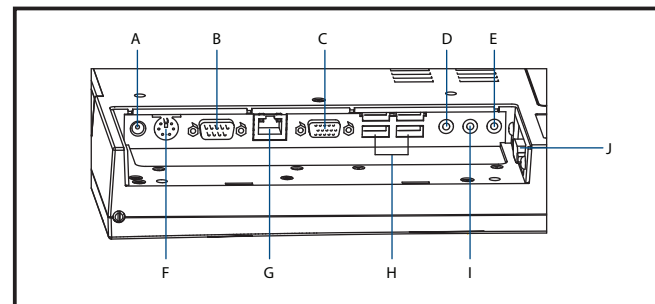
UltraSlim Profile

With dimensions of 375 x 299 x 49 mm, the PPC-S155T occupies much less space than previous panel computers. Thanks to its VESA compliant slim design, the PPC-S155T also provides flexible installations, such as wall mounting, hanging, swingarm mounting, or desktop stand mounting.

Networking and Expansion Capability

Two serial ports, four USB 2.0 ports and a Gigabit Ethernet controller endows the PPC-S155T with advanced networking capabilities and provide the best solution for versatile applications. With a built-in Type III Mini PCI socket, the PPC-S155T can offer connections with Type III Mini PCI 56 K modems, second Ethernet or WLAN cards for enhanced the networking capability. With a built-in internal CompactFlash Type II socket (IDE interface), the PPC-S155T can offer OS booting via CF type card.

Fully-Integrated I/O



- | | |
|-----------------|------------------|
| A. DC inlet | F. PS/2 |
| B. COM 1 | G. Ethernet jack |
| C. VGA | H. USB 2.0 x 4 |
| D. Mic-in jack | I. Line-out jack |
| E. Line-in jack | J. COM 3 |