

PPC-175T

Panel PC with 17" Color TFT LCD and Intel® Pentium®/Celeron® M Processor



Features

- 17" TFT XGA LCD
- Intel® Pentium®/Celeron® M up to 1.8 GB/1.5 GB
- System memory up to 2 GB DDR RAM
- Built-in CF card interface (IDE interface for OS booting)
- One PCI expansion slot
- Two 10/100Base-T Ethernet ports (second LAN port or Gigabit LAN are optional)
- Two IEEE 1394 ports
- Resistive, capacitive, SAW touch screen are available
- LED Indicator for Power, LAN and Hard Disk

Introduction

The PPC-175T is an Intel Pentium/Celeron M based Panel PC with 17" color TFT LCD (resolution up to 1024 x 768). It features multimedia devices, various connectors, and can be installed in virtually any application. In addition, its user-friendly interface makes it a great host for information appliances.

Specifications

- **CPU** Supports Socket 478 based Pentium /Celeron M up to 1.8G /1.5G
- **Disk Drive Housing** Room for 1 x 2.5" HDD
- **Dimensions (W x H x D)** 442 x 362 x 111.5 mm (17.4" x 14.25" x 4.39")
- **Front Panel Protection** IP65/NEMA 4 compliant (not for SAW model)
- **HDD** IDE HDD interface (2.5" HDD bay)
- **CD-ROM Drive** Optional 24X or above
- **DVD-ROM Drive** Optional 16X or above
- **Combo Drive** Optional DVD/CD-RW 8D/24W/24E/24R or above
- **Memory** Supports up to 2 GB DDR SDRAM (184-pin)
- **FDD** Optional
- **Network (LAN)** 2 x ports 10/100Base-T Ethernet interface (second LAN port or Gigabit LAN are optional)
- **I/O Ports**
 - 3 x COM ports: 2 x RS-232, 1 x RS-232/422/485
 - 4 x USB 2.0 ports
 - 1 x PCMCIA Type II
 - 1 x PS/2 mouse and keyboard interface
 - Mic-in, Line-in, Line-out
 - 2 x IEEE 1394 ports
- **Bus Expansion** 1 x PCI expansion slot, 1 x Mini PCI card

Environmental Specifications

- **Operating Temperature** 0 ~ 45° C (32 ~ 113° F)
- **Relative Humidity** 5% ~ 85% non-condensing
- **Shock** 10 G peak acceleration (11 msec. duration)
- **EMC** BSMI, VCCI, CE, FCC Class B, CCC
- **Safety** CB, CE, UL

Power Supply

- **Output Rating** 130 W (max.)
- **Input Voltage** 100 ~ 250 Vdc @ 50 ~ 60 Hz
- **Output Voltage** +3.3 V @ 8.0 A, +5 V @ 12.0 A, +12 V @ 4.0 A, -12 V @ 0.2 A, +5 Vsb @ 2.0 A

LCD Display

- **Display Type** Color TFT LCD
- **Size (Diagonal)** 17"
- **Max. Resolution** 1024 x 768
- **Max. Colors or Grayscales** 16.7M
- **Pixel Pitch (mm)** 0.264 x 0.264
- **Luminance (cd/m²)** 300
- **Contrast Ratio** 800 : 1
- **Viewing Angle** 80° (left), 80° (right), 80° (up), 80° (down)
- **Operating Temperature** 0 ~ 50° C
- **VR Controls** Brightness
- **Simultaneous Mode** Yes
- **LCD MTBF** 50,000 hrs

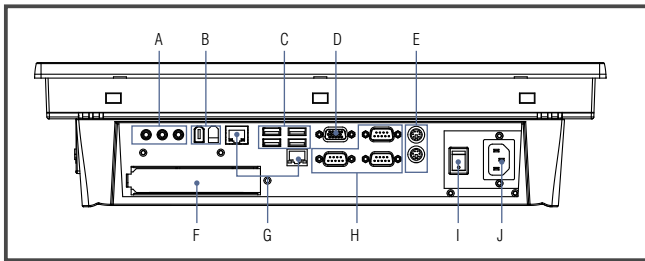
Touchscreen (Optional)

Types	Analog Resistive	Capacitive	Surface Acoustic Wave	Infrared
Resolution	Continuous	1024 x 1024	4096 x 4096	4096 x 4096
Light Transmission	80%	91.5%	91%	91%
Controller	RS-232 Interface	RS-232 Interface	RS-232 Interface	
Power Consumption	+5 V @ 200 mA	+5 V @ 100 mA	+5 V @ 150 mA	+5 V @ 150 mA
Software Driver	Supports both DOS and Windows			
Durability (Touches lifetime)	35 million	225 million	50 million	100,000 hrs

Ordering Information

Part No.	Description
PPC-175T-BAREE	Panel PC with 15" color TFT LCD display (resolution 1024 x 768)
PPC-175T-BARE-TE	PPC-175T Bare BOM with resistive touchscreen
PPC-175T-BARE-CE	PPC-175T Bare BOM with capacitive touchscreen
PPC-175T-BARE-SE	PPC-175T Bare BOM with SAW touchscreen
PPC-175T STAND	Stand kit for PPC-154/155/174/175T Series
PPC-174 WL-MT	Wall mount kit for PPC-154/155/175T Series
PPC-174 SWINARM	Swingarm kit for PPC-154/155/174/175T Series

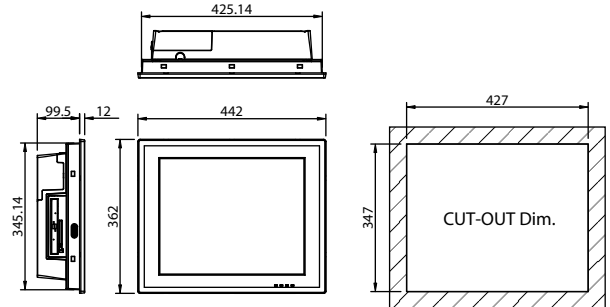
Fully Integrated I/O



- A. Line-in / Line-out / Mic-in
- B. IEEE 1394 x 2
- C. USB 2.0 x 4
- D. VGA port
- E. PS/2 mouse & keyboard
- F. PCI slot x 1
- G. 10/100 Base-T Ethernet x 2 (Gigabit optional)
- H. RS-232 x 2, RS-232/422/485 x 1
- I. Power switch
- J. AC Inlet

Dimensions

Unit: mm



Feature Details

Protection

To meet the requirements of a public environment, the front panel PPC-175T complies with the IP65/NEMA 4 protection standard. Furthermore, the watchdog timer and power management features make the system secure and stable. The onboard hardware monitoring feature provides an automatic protection function, which prevents the CPU from becoming overheated.

Networking

Three serial ports and two 10/100Base-T Ethernet ports (Second LAN port or Gigabit LAN are optional) gives the PPC-175T advanced networking capabilities, and provide a great solution for versatile applications.

Expansion

To extend functionality, the PPC-175T is designed with one expansion slot for PCI cards, four USB 2.0 (Universal Serial Bus) ports, and one PCMCIA card bus (Type II x 1). With these expansion capabilities, the PPC-175T not only functions as an HMI, but also as a computing center on which to build your applications.

Easy Maintenance

Maintaining and replacing the LCD and touchscreen are made easier through the PPC-175T modular design. In order to replace a defective LCD or touchscreen, one merely needs to remove the front cover and LCD bracket instead of disassembling the whole system.

Touchscreen Options

Customers can choose from four optional types of standardized touchscreens: resistive, capacitive, Infrared, and SAW (Surface Acoustic Wave). Flexible options for the PPC-175T offer a more user-friendly interface for diverse environments.