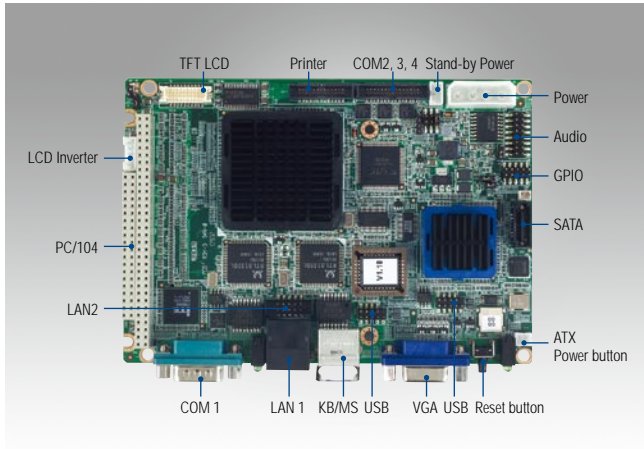


PCM-9375

AMD Geode™ LX800 3.5" SBC, CRT, LVDS, LCD, 2 LAN, IDE, SATA, PC/104



Features

- AMD Geode™ low power LX800 500 MHz processor
- 24-bit TFT LCD interface, 18-bit LVDS LCD display
- Dual 10/100 Mbps Fast Ethernet
- Supports up to 4 COM ports, 4 USB ports, PC/104 expansion
- Supports embedded software APIs and utilities

Software APIs:

- GPIO
- H/W Monitor
- Watchdog
- Brightness
- SMBus
- Backlight On/Off

Utilities:

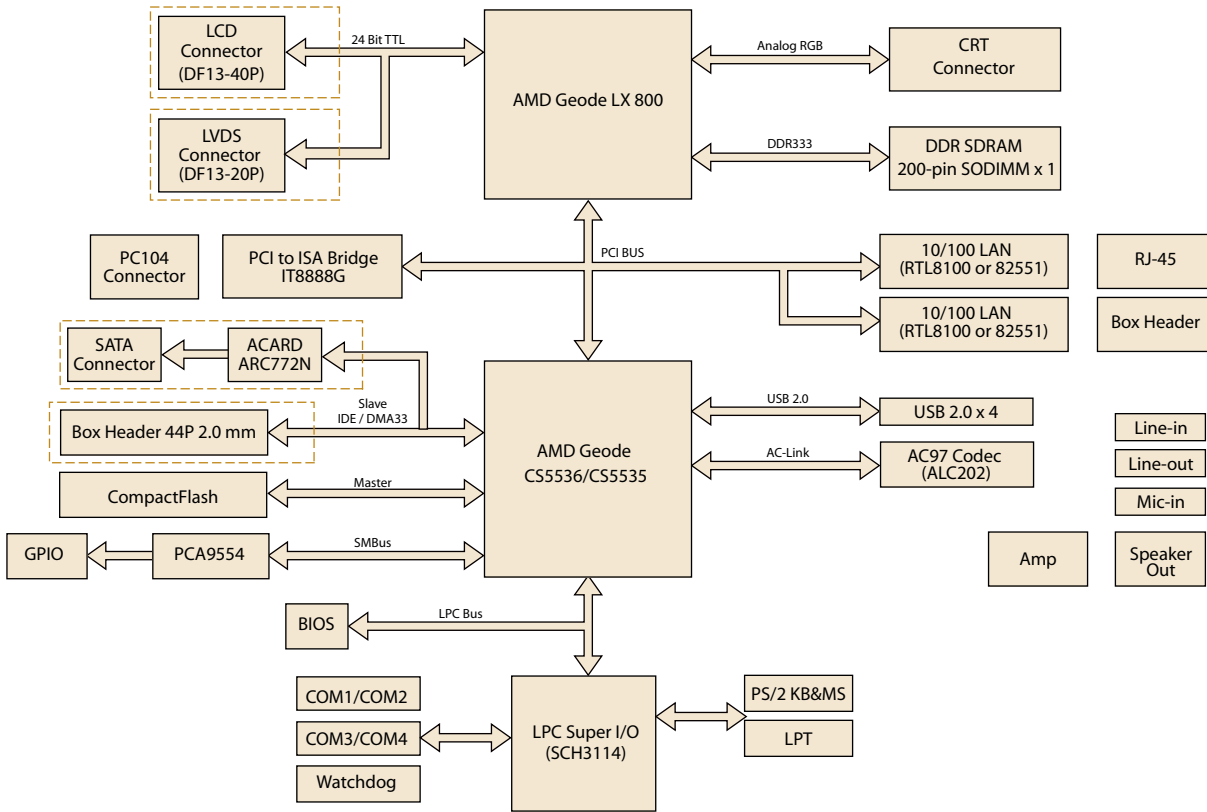
- BIOS flash
- Monitoring



Specifications

Processor System	CPU	AMD Geode™ LX800 processor, up to 500 MHz
	Frequency	500 MHz
	L2 Cache	128 KB
	System Chipset	AMD Geode LX800
	BIOS	Award 4 Mb Flash ROM BIOS
Memory	Technology	DDR 333/400 MHz
	Max. Capacity	512 MB (1 GB optional)
Display	Socket	1 x 200-pin SODIMM
	Chipset	AMD Geode LX800
	VRAM	Optimized shared memory architecture up to 64 MB system memory
	Graphics Engine	AMD CS5536 2D engine
	LVDS	1 x 18-bit LVDS (PCM-9375E), up to 1600 x 1200 x 32 bpp at 60 Hz
	VGA	CRT: up to 1920 x 1440 @ 32 bpp (85 Hz) TTL LCD: up to 1600 x 1200 x 32 bpp at 60 Hz
	Dual Display	CRT+TTL, CRT+LVDS
Ethernet	Speed	10/100 Mbps
	Controller	LAN1 Realtek RTL8100 10/100 Mbps LAN LAN2 Realtek RTL8100 10/100 Mbps LAN
	Connector	RJ-45 on LAN1, box header on LAN2
Audio	Chipset	Realtek ALC203 AC97, Line-in, Line-out, Mic-in
WatchDog Timer		Output system reset Programmable 1 - 255 sec
Storage	CompactFlash	1
	SATA	1
	IDE	1
	Floppy	1 (share with LPT)
Rear I/O	Serial	1 (COM1 supports RS-232)
	Ethernet	1 (10/100 Mbps)
	KB/Mouse	1
	VGA	1
	Reset Button	1
Internal I/O	USB	4 x USB 2.0
	Serial	3 x COM COM3/COM4 supports RS-232 COM2 supports RS-232/422/485
	IDE	1 UDMA 33/66
	Parallel (LPT)	1 (share with LPT)
	FDD	1 (share with LPT)
	GPIO	8-bit GPIO
	I ² C	optional
	PC/104 Slot	PC/104 Expansion(8/16-Bit ISA)
Power	Power Type	AT/ATX
	Power Supply Voltage	5V + 5%, 12V + 5% (LCD, PC/104)
	Power Consumption (Typical)	Typical: 0.6 A @ 5 V, 0.03 A @ 12 V
	Power Consumption (Max, test in HCT)	MAX: 1.2 A @ 5 V, 0.23 A @ 12 V
	Power Management	APM 1.2, ACPI
Environment	Battery	Lithium 3 V/196 mAH
	Operational	0 - 60° C (32 - 140° F)
Physical Characteristics	Non-Operational	Operating: 0 - 60° C (32 - 140° F) (Operating humidity: 40° C @ 85% RH non-condensing) Non-Operating: -40° C ~ 85° C and 60° C @ 95% RH non-condensing
	Dimensions (L x W)	146 x 102 mm (5.7" x 4")
	Weight	0.85 kg (1.87 lb), weight of total package

Board Diagram



Ordering Information

Part No.	CPU	CRT	LVDS	TTL	LAN	IDE/SATA	USB2.0	RS-232	RS-232/422/485	LPT	GPIO	CF	PC/104	Thermal Solution	Operating Temp.
PCM-9375F-J0A1E	AMD LX800	1	-	1	2 FE	1 IDE	4	3	1	1	8-bit	1	1	Passive	0 - 60° C
PCM-9375E-J0A1E	AMD LX800	1	1	-	2 FE	1 IDE	4	3	1	1	8-bit	1	1	Passive	0 - 60° C
PCM-9375SF-J0A1E	AMD LX800	1	-	1	2 FE	1 SATA	4	3	1	1	8-bit	1	1	Passive	0 - 60° C
PCM-9375SE-J0A1E	AMD LX800	1	1	-	2 FE	1 SATA	4	3	1	1	8-bit	1	1	Passive	0 - 60° C
PCM-9375FZ-J0A1E	AMD LX800	1	-	1	2 FE	1 IDE	4	3	1	1	8-bit	1	1	Passive	-20 - 80° C
PCM-9375EZ-J0A1E	AMD LX800	1	1	-	2 FE	1 IDE	4	3	1	1	8-bit	1	1	Passive	-20 - 80° C
PCM-9375FZ2-J0A1E	AMD LX800	1	-	1	2 FE	1 IDE	4	3	1	1	8-bit	1	1	Passive	-40 - 85° C
PCM-9375EZ2-J0A1E	AMD LX800	1	1	-	2 FE	1 IDE	4	3	1	1	8-bit	1	1	Passive	-40 - 85° C

Packing List

Part No.	Description	Quantity
	PCM-9375 SBC	
	Startup Manual	
	Utility CD	
1701440351	IDE cable (44p/44p)	x 1
1700060202	KB/MS cable	x 1
1701100202	LAN cable	x 1
1700001971	COM 2/3/4 RS-232 cable	x 1
1700260250	Parallel Port cable	x 1
1703160160	Audio cable	x 1
1703100121	USB cable (2 ports)	x 1

Optional Accessories

Part No.	Description
1703040157	COM2 cable for RS-422/485
1703200201	ATX power control cable

Floppy Disk Module

Part No.	Description
9696937580E	PCM-9375-FDD module
1701340700	Flat cable 34-pin for FDD
1700016261	2 x LPT cable 2 LPT 1.27 mm

Embedded OS/API

Embedded OS/API	Part No.	Description
WinCE 5.0	2070000729	Image PCM-9375 CE 5.0 Pro Plus Eng
	2070001612	CE60 Pro GX3 4Com V1.0 ENG
	2070007509	CE 6.0 Pro PCM-9375_4COM V1.1 JPN
WinCE 6.0	2070007810	CE60 Pro GX3 4COM V1.2 ENG
	2070000732	Win XPe SP2 for PCM-9375 V2.10, English version (430 MB)
Win XPE	2070001576	XPE FP2007 GX3(LX800) V3.0 ENG
		ONX 6.3.2
ONX		ONX 6.4.1
		Linux WDT Driver Ubuntu08.04 PCM-9375 V1.0 ENG
Linux Software API	205E375000	Linux WDT Driver Ubuntu08.04 PCM-9375 V1.0 ENG
	2066002300	CD SUSI Library V1.0

