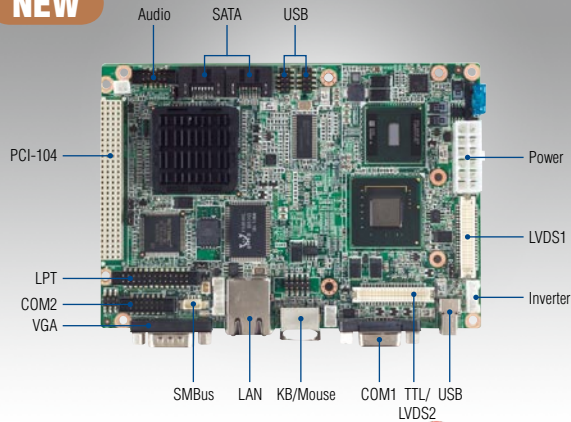


# PCM-9361

Intel® Atom™ N270 3.5" SBC, Dual LVDS, TTL, CRT, LAN, USB, SATA, PCI-104

**NEW**



## Features

- Intel® Atom™ Processor N270+ 945GSE+ ICH7M
- Supports 18-bit TTL/CRT/36-bit LVDS1/48-bit LVDS2 (including Wide screen)
- Supports Giga LAN/HD Audio
- Supports up to 2 COM ports, 5 USB 2.0 ports, 2 SATA Interfaces
- Supports embedded software API and utility
- Supported OS: Win XP embedded, Win XP Pro, WinCE6.0, Linux, QNX

### Software APIs:



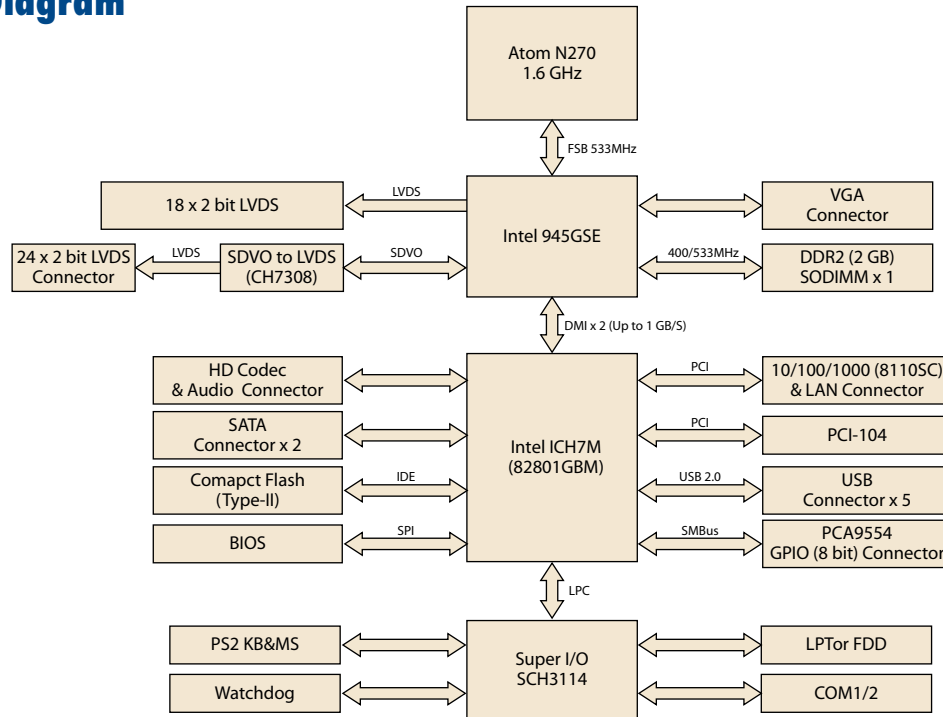
### Utilities:



## Specifications

Processor System	CPU	Intel Atom N270 1.60 GHz		
	Front Side Bus	533 MHz		
	Frequency	1.60 GHz		
	L2 Cache	512 KB		
	System Chipset	Intel 945GSE+ ICH7M		
Memory	BIOS	Award 4 Mbit		
	Technology	DDR2 400/533 MHz		
	Max. Capacity	2 GB		
Display	Socket	1 x 200-pin SODIMM		
	Chipset	Intel 945GSE		
	VRAM	Optimized shared memory architecture up to 224 MB system memory		
	Graphics Engine	Intel 3.5 Gen integrated graphics engine		
	LVDS	LVDS1: Supports 2 channel 36-bit LVDS panel LVDS2: Supports 2 channel 48-bit LVDS panel (only for PCM-9361EVG)		
	VGA	LVDS2 wide screen supports: EX:1366 x 768 (24-bit), 1440 x 900 (48-bit), 1680 x 1050 (48-bit), 1920 x 1080 (48-bit)		
	TTL LCD	Supports QXGA Up to 2048 x 1536 18-bit TTL: Up to 640 x 480, 800 x 600		
Ethernet	Dual Display	- CRT + LVDS - CRT + TTL - LVDS1 + LVDS2 (not supported in DOS mode, only for PCM-9361EVG )		
	Speed	10/100/1000 Mbps		
	Controller	Realtek 8110SC		
WatchDog Timer	Connector	RJ-45 on LAN		
	Chipset	Realtek ALC888, High Definition Audio (HD), Line-in, Line out, Mic-in		
Storage	Output system reset, Programmable 1 ~ 255 sec			
	CompactFlash	Supports CompactFlash card TYPE I/II (Primary Master IDE Channel)		
	SATA	2		
Rear I/O	Floppy	1 (shared with LPT)		
	Serial	1 (COM1 supports RS-232)		
	Ethernet	1 (10/100/1000 Mbps LAN1)		
	KB/Mouse	1		
	VGA	1		
	USB	1		
Internal I/O	USB	4 x USB 2.0		
	Serial	1 x COM COM2 supports RS-232/422/485		
	Parallel(LPT)	1		
	FDD	1 (shared with LPT)		
	SMBUS	1		
	GPIO	8-bit GPIO		
	I <sup>2</sup> C	1		
Expansion	PCI-104 slot	PCI-104 Expansion		
	Power Type	AT/ATX		
Power	Power Supply Voltage	ATX: +5 V ± 5%, ±12 V ± 5% AT: 5V only to boot up (12 V is optional for LCD inverter and add on card)*		
	Power Consumption (Typical)	5 V	12 V	
		Typical	1.90 A	0.07 A
	Power Consumption (Max, test in HCT)	Suspend	1.36 A	0.06 A
		5V: 2.38A	12V: 0.09A	
Power Management	APM1.2, ACPI3.0, wake on LAN, and modem ring-in functions			
Environment	Battery	Lithium 3 V / 210 mAH		
	Operational	0 ~ 60° C (32 ~ 140° F)		
	Non-Operational	Operating: 0 ~ 60° C (32 ~ 140° F) (Operating humidity: 40° C @ 85% RH non-condensing) Non-Operating: -40° C ~ 85° C and 60° C @ 95% RH non-condensing		
Physical Characteristics	Dimensions (L x W)	146 x 102 mm (5.7" x 4")		
	Weight	0.85 kg (1.87 lb), weight of total package		

## Board Diagram



## Ordering Information

Part No.	CPU	Memory	CRT	LVDS	LVDS2	TTL	LAN	Audio	USB 2.0	RS-232	RS-232/422/485	LPT	KB/MS	Expansion	Thermal Solution	Operating Temp.
PCM-9361FG-S6A1E	Atom N270 1.6G	DIMM	1	-	-	1	1 GE	HD	5	1	1	1	1	PCI-104	Passive	0 ~ 60° C
PCM-9361EG-S6A1E	Atom N270 1.6G	DIMM	1	36-bit	-	-	1 GE	HD	5	1	1	1	1	PCI-104	Passive	0 ~ 60° C
PCM-9361EVG-S6A1E	Atom N270 1.6G	DIMM	1	36-bit	48-bit	-	1 GE	HD	5	1	1	1	1	PCI-104	Passive	0 ~ 60° C
PCM-9361L-S6A1E (W/O cables)	Atom N270 1.6G	DIMM	1	36-bit	-	-	1 GE	HD	5	1	1	1	1	-	Passive	0 ~ 60° C
PCM-9361FZ-1GS6A1E	Atom N270 1.6G	1G bundle	1	-	-	1	1 GE	HD	5	1	1	1	1	PCI-104	Passive	-20 ~ 80° C
PCM-9361VZ-1GS6A1E	Atom N270 1.6G	1Gbundle	1	36-bit	48-bit	-	1 GE	HD	5	1	1	1	1	PCI-104	Passive	-20 ~ 80° C

## Packing List

Part No.	Description	Quantity
	PCM-9361 SBC	
	Startup Manual	
	Utility CD	
9689000002	mini Jumper pack	x 1
1700000265	ATX Power Cable	x 1
1700006291	SATA Cable	x 1
1700060202	PS/2 cable	x 1
1701140201	COM2 IDE D-SUB 20 cm cable	x 1
1703100121	USB 2 x 5P-2.0 12 cm W/BKT cable	x 2
1703100152	Audio Cable	x 1
1700260250	LPT IDE 26P D-SUB 25 cm cable	x 1
1703150102	SATA 10 cm power cable	x 1

## Optional Accessories

Part No.	Description
1700001531	LPT to FDD cable
1700016161	AT Power cable, 2 x 6P to 3 x 4P 10 cm
1700016141	AT power cable, 2 x 6P to 2 x 10P 10 cm

## Embedded OS/API

Embedded OS/API	Part No.	Description
WinCE 6.0	2070008069	Image CE60 Pro PCM-9361 V1.1 JPN
	2070006670	Image XPE FP2007 PCM-9361 V3.01 ENG
Win XPE	2070007911	XPE WES2009 Intel-Multitprocess V4.0 MUI24
	2070007789	XPE WES2009 Intel-Multitprocess V4.0 ENG
QNX	2070006929	Image QNX V6.4 PCM-9361 V1.0 ENG
Software API	205E936000	EmbCore PCM-9361 3.5" SUSI package V3.08