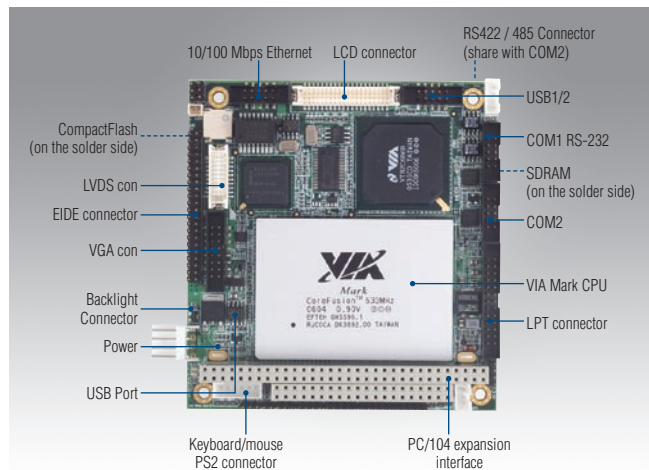


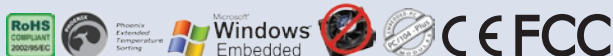
PCM-3375

VIA Mark CoreFusion™ PC/104 Module with VGA/LCD, Ethernet & SSD



Features

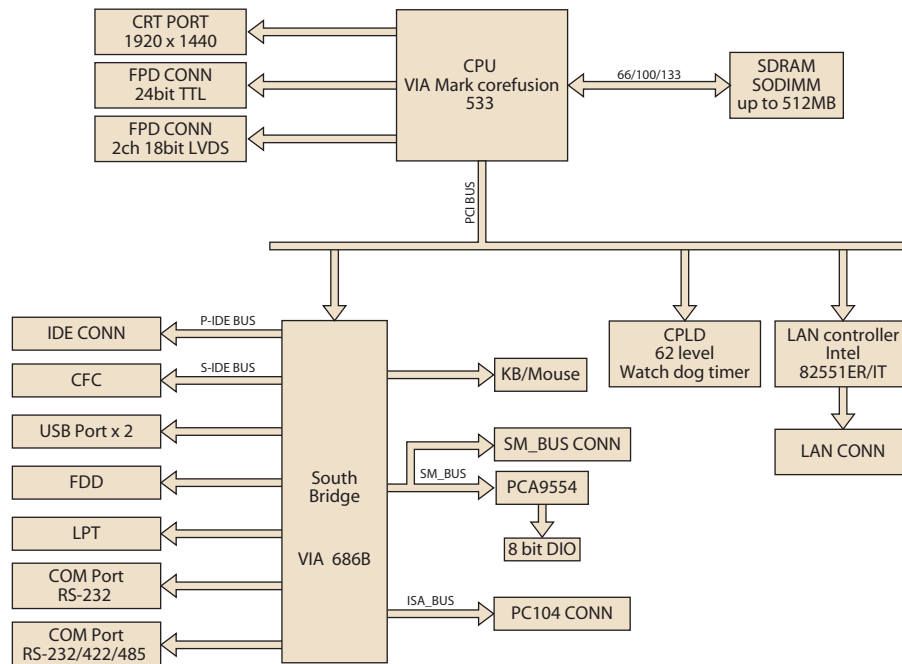
- VIA Mark CoreFusion™ 533 MHz Processor
- Supports CompactFlash type I SSD solution
- Reliable fanless operation
- 10/100 Mbps Fast Ethernet
- 24-bit TFT LCD / 36-bit LVDS support



Specifications

Processor System	CPU	Embedded low-power onboard VIA Mark 533 MHz processor
	L2 Cache	64 KB
	Chipset	VIA VT82C686B
	BIOS	Award 2-Mbit
Memory	Technology	PC/100/133 SDRAM
	Max. Capacity	512 MB
	Socket	1 x 144-pin SODIMM
SSD	CompactFlash	Card Type I
I/O Interface	LPT	1
	FDD	1
	RS-232	1
	RS-232/422/485	1
	K/B	1
	Mouse	1
	USB	2 x USB 1.1, Open HCI compliant
	IrDA	1 x 115 kbps SIR, IrDA 1.0 compliant
EIDE	Mode	UDMA 33
	Channel	1
Expansion Slot	PC/104	1
Ethernet	Speed	10/100 Mbps
	Controller	Intel 82551ER
	Interface	1 x RJ-45 by cable
Display	Controller	VIA Mark CoreFusion™ processor
	VRAM	Up to 32 MB frame buffer shares the system memory
	TTL LCD	1 x 24-bit TTL
	LVDS LCD	1 x 36-bit LVDS
Environment	Operating Temperature	0 ~ 60° C (32 ~ 140° F)
	Operating Humidity	0% ~ 90% relative humidity, non-condensing
Power	Power Type	AT
	Power Supply Voltage	5V only to boot up (12 V is optional for LCD inverter and add on card)
	Power Consumption: Typical (WinXP Idle Mode)	Typical: +5 V @ 1.94 A
	Power Consumption: Max, Test in HCT	Max: +5 V @ 2.06 A
	Power Management	APM 1.2
	Battery	Lithium 3 V / 210 mA
Watchdog Timer	Output	System reset
	Interval	62-level timer
Physical Characteristics	Dimensions (L x W)	96 x 90 mm (3.8" x 3.5")
	Weight	0.097 kg (0.214 lb)

Board Diagram



Ordering Information

Part No.	CPU	Chipset	CRT	TTL	LVDS	LAN	USB 1.1	RS-232	RS-422/485	LPT	FDD	CF	KB/MS	PC/104 connector	Thermal Solution	Operating Temp.	Embedded OS
PCM-3375F-LOA1E	VIA Mark 533 MHz	VT82C686B	Yes	24-bit	2 x 18-bit	1 FE	2	1	1	Yes	Yes	Yes	Yes	Yes	Passive	0 ~ 60° C	Win CE (optional)

Packing List

Part No.	Description	Quantity
	PCM-3375 SBC	1
1703060053	KB/Mouse Y-cable EXT cable	1
1700060202	KB/Mouse Y-cable (2 PS/2)	1
9681000044	26-34-pin FDD adapter	1
1701160150	VGA cable	1
1701100202	Ethernet RJ-45 connector conversion cable 20 cm	1
1701440504	IDE (HDD) cable 44P/44P/44P	1
1700100250	COM port cable 25 cm	1
1700260250	LPT port cable	1
1701260125	FFC cable for slim FDD	1
	Startup manual	1
	CD-ROM (Manual, Driver, Utility)	