



NAD-2100

Fanless Intel® desktop communication appliance platform with PCI-Express

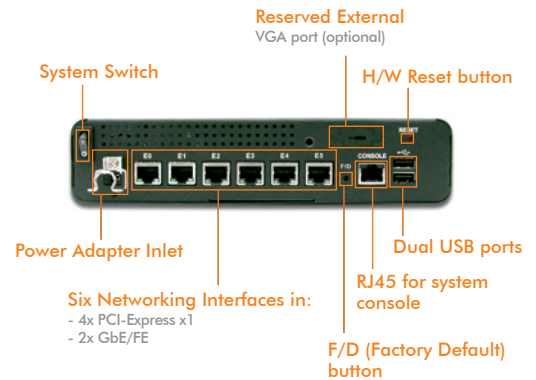


FEATURE

- Full Intel® solution
- Cost effective system with 2.5/3.5" HDD and Fanless solution
- High computing performance with low power consumption
- Fulfill most desktop platform requirement
- Up to Six GbE/FE and PCI-Express supported
- Supports Compact Flash and Disk on Module (DOM)
- Generation-2 Bypass function supported (Software control)
- Supports dual channel DDR2 533 up to 2GB

SPECIFICATION

CPU Board	- Support Intel® Celeron® M / Pentium M processors up to 2GHz - Intel® 915GME/910GMLP chipset with 533/400MHz FSB
System Memory	Dual channel 200-pin SODIMM sockets support DDR2 400/533MHz up to 2GB
Ethernet Port	- 4 PCI-E x1 GbE ports - 2 PCI FE or GbE ports
PCI Expansion	Optional
Storage Device	- CompactFlash - Disk on Module (DOM) - One SATA/IDE 2.5/3.5" HDD
Serial Port	- One RJ45 for system console - One 2x5 pin-connector
LCD Panel	N/A
LEDs	Power status, data access, Ethernet status (LNK/ACT), Ethernet speed (10/100/1000) and bypass
IDE/SATA	- One 40-pin IDE connector - Two SATA connectors
USB	Two USB 2.0 ports, rear accessible
VGA	Built-in on-board 2x5 pin-header
Power	84W power adaptor
Dimension	255(W) x 205(D) x 50(H) mm 8.96"(W) x 8.07"(D) x 1.97"(H)
Operating Environment	- Temperature: 5 to 40°C (41 to 104°F) - Humidity: 20% to 90% RH
Storage Environment	- Temperature: 0 to 70°C (32 to 158°F) - Humidity: 5% to 95% RH
Certification	CE/FCC/UL



ORDERING GUIDE

Part No.	CPU	Chipset	Ethernet	Bypass	PCI Exp.
NAD-2100-621 (Fanless)	Intel® ULV Celeron® M 600MHz	910GMLP	4GbE+2FE	One bypass seg.	N/A
NAD-2100-601	Intel® Celeron® M/Pentium® M	915GME	6GbE	One bypass seg.	N/A