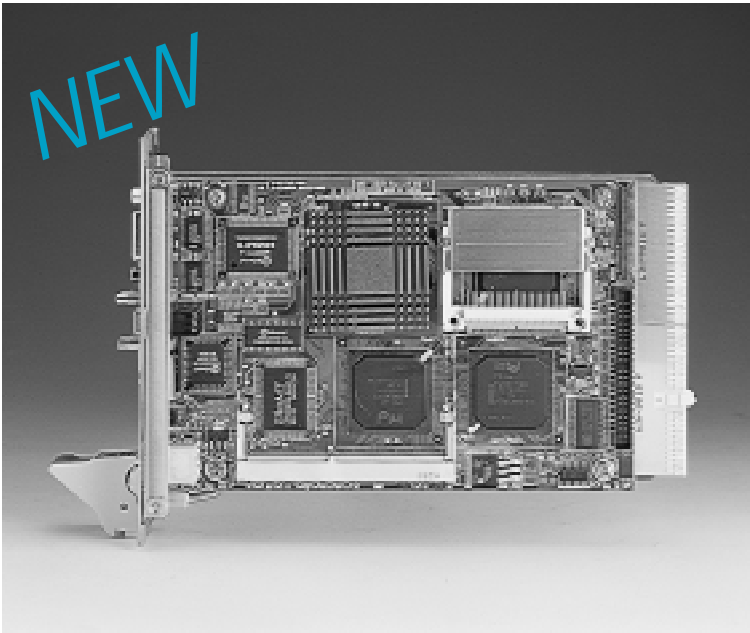


MIC-3351

3U CompactPCI™ Pentium®
MMX SBC with VGA/LAN/SCSI



Features

- On-board Pentium® MMX 266 CPU
- Two SODIMM sockets support up to 256 MB SDRAM
- On-board high-performance VGA display
- Optional Ultra2 SCSI interface
- On-board 10/100Base-TX fast Ethernet with RJ-45 connector
- Supports 2 Ultra DMA/33 high-speed IDE devices
- Accepts CompactFlash memory card
- One PCI-to-PCI bridge drives up to 7 bus master peripherals
- Compact 2-slot width
- Supports on-board HDD, optional 1-slot wide mounting bracket for an on-board FDD

Introduction

The MIC-3351 is a 3U CompactPCI™ single board computer. With on-board Intel® Pentium® MMX 266 MHz CPU, the MIC-3351 can operate under a wider operating temperature range. The MIC-3351 has many functions within a mere 2-slot width, thus saving valuable CompactPCI slots for peripheral cards.

Low Power Consumption Mobile Pentium® Processor

The MIC-3351 uses an embedded Intel® Pentium® MMX 266 MHz processor which has low power consumption and an extended temperature range. This CPU is designed for embedded application and is suitable under fanless operation.

SCSI, Ethernet and PCI-to-PCI Bridge

The MIC-3351 has an on-board high-performance fast Ethernet interface which complies with IEEE 802.3/802.3u for 10Base-T and 100 Base-TX data rate. An optional Ultra2 SCSI interface supports up to 80 MB/S data transfer rate, and can connect up to 16 LVD devices. The MIC-3351 also provides a PCI-to-PCI bridge to drive up to 7 PCI master devices.

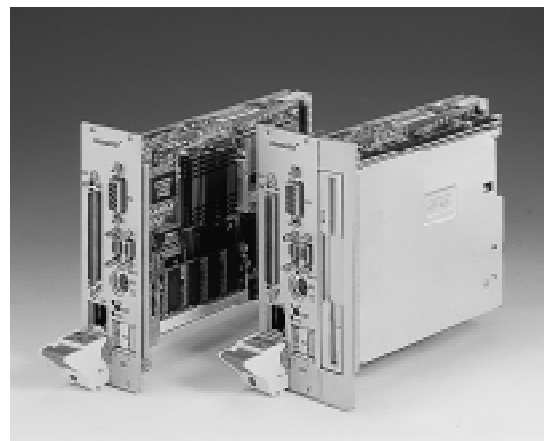
Complete SBC Functions

The MIC-3351 offers all functions of an industrial computer with the rugged Eurocard 3U form factor. It offers an VGA connector, two serial ports, two USB ports, one parallel port or one optional SCSI interface, one PS/2 keyboard/mouse connector and one Ethernet interface. Standard I/O connectors for all the functions are available on the front panel. Also located on the front panel are the LEDs for power status, HDD operation, SCSI operation, Ethernet communication, and one reset button.

The built-in high speed PCI IDE controller provides one IDE channel with Ultra DMA/33 modes. A 2.5" hard disk drive can be mounted on the MIC-3351's two-slot wide space. An optional 1-slot wide mounting bracket is available for an on-board super slim floppy disk drive.

Meets Industrial Applications Requirements

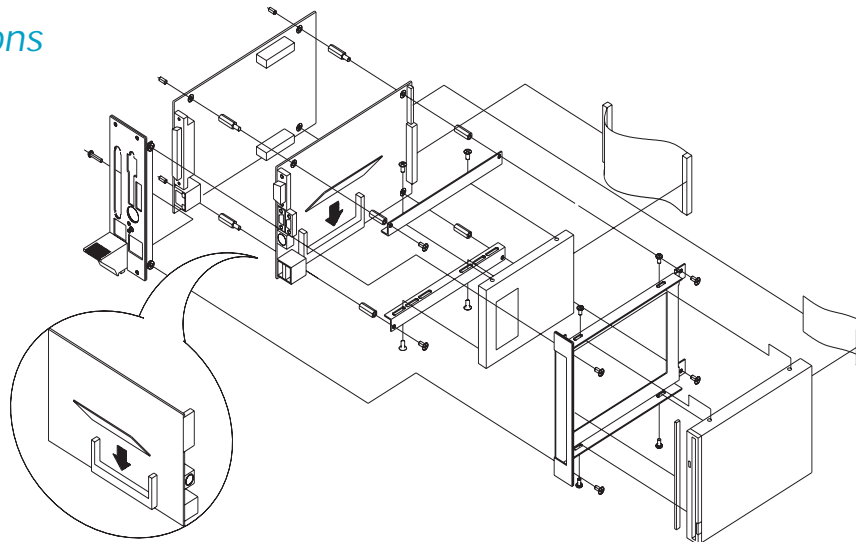
The MIC-3351 is designed for use in mission critical applications. It accepts a CompactFlash memory card to eliminate the need to use a fragile rotating hard drive. A watchdog timer can automatically reset the system or generate an interrupt if the system stops due to a program bug or EMI. The two-layer front panel design complies with IEEE 1101.10. Connectors are firmly screwed to the front panel, and the replaceable shielding gasket is attached to the panel edge. This reduces emissions and gives better protection against external interference.



The 2-slot wide and 3-slot wide MIC-3351



Installations



Specifications

Standard SBC Functions

- **CPU:** On-board Intel® Pentium® MMX 266 MHz
- **BIOS:** Award 2 Mb Flash memory
- **Chipset:** Intel®430 TX
- **Front side bus clock:** 66 MHz
- **Bus interface:** 32-bit, 33 MHz, PICMG 2.0 compliant
- **2nd level cache:** 512 KB on-board
- **RAM:** Two 144-pin SODIMM sockets support up to 256 MB SDRAM
- **Enhanced IDE interface:** Handles up to 2 IDE devices. Supports PIO mode 4 and DMA/33 mode
- **Floppy disk drive interface:** Supports up to two floppy disk drives
- **Parallel port:** Supports multimode parallel (SPP/EPP/ECP) port (MIC-3351 only)
- **Ethernet:** Intel® 82559 Fast Ethernet controller chips, 10/100Base-TX with RJ-45 connectors
- **Serial ports:** Two RS-232 ports with 16550 UARTs
- **USB interface:** Two USB ports
- **CompactFlash interface:** Accepts one CompactFlash card on primary IDE channel, master/slave jumper selectable
- **Keyboard/mouse connectors:** One 6-pin mini-DIN connector on the front panel
- **Watchdog timer:** Can generate a system reset or IRQ 15. Software enabled/disabled. Time interval is from 1 to 63 seconds. Jumperless with run-time setup
- **PCI-to-PCI bridge:** One Intel® DEC 21150 controller chip, drives up to 7 bus master peripherals

PCI SVGA Interface

- **Controller:** Intel® C&T 69000
- **Display memory:** Built-in 2 MB SDRAM display cache
- **Display resolution:** Supports non-interlaced CRT monitor resolutions up to 1024 x 768 x 16-bit colors

Ultra2 SCSI Interface (MIC-3351S only)

- **Controller:** Symbios SYM53C895
- Performs Ultra2 SCSI LVD synchronous transfers as fast as 80 MB/s

Mechanical and Environmental Specifications

- **Operating temperature:** 0° ~ 70° C (32° ~ 158° F)
- **Storage temperature:** -20° ~ 80° C (-4° ~ 176° F)
- **Humidity (operating and storage):** 5 ~ 95% (non-condensing)
- **Size:** 100 x 160 mm (3U), 2-slot (8 TE) or 3-slot (12 TE) width
- **Weight:** 0.8 kg (1.8 lb)
- **Shock:** 20 G (operating); 50 G (storage/transit)
- **Random vibration:** 1.5 Grms

Ordering Information

- ❑ **MIC-3351:** 3U CompactPCI™ Pentium® MMX SBC with VGA/LAN, parallel port, mounting bracket for FDD, utility CD-ROM disc, and manual
- ❑ **MIC-3351S:** 3U CompactPCI™ Pentium® MMX SBC with VGA/LAN/SCSI, mounting bracket for FDD, utility CD-ROM disc, and manual