

IPPC-7157A

15" XGA TFT LCD Pentium® D/Pentium® 4/ Celeron® D Industrial Panel PC with 7 x PCI/PCle Slots and Membrane Keypad

NEW



Introduction

The IPPC-7157 is a brand new ID designed Industrial Panel PC with 15" XGA TFT LCD. It supports ATX industrial mother board with 7 PCI/PCle expansion slots. IPPC-7157 provides many powerful features such as detachable side-open front panel module, a front-access USB2.0 port, programmable membrane function keys & touch pad, OSD Control, NEMA4/IP65 compliant aluminum front panel, optional analog resistive touchscreen (USB Interface).

Specifications

General

- **Button Control** Membrane Keypad 1 - 43 operating keys
Membrane Keypad 2 - 10 programmable macro function keys
- **BIOS** Award™ 8 Mbit FWH
- **Certifications** BSMI, CCC, CE, FCC
- **Cooling System** 1 x 49 CFM fan w/50,000 hrs MTBF
- **Dimensions (W x H x D)** 482 x 354.8 x 162 mm (18.97" x 13.96" x 6.37")
- **Disk Drive Bay** Supports one FDD, two 3.5" HDD & one CD-ROM (all optional)
- **Enclosure** Front Panel - Aluminum,
Chassis - anti-rust
- **Mounting** 19" Rack
- **Power Input** 100-240 Vac, 10A, 60-50 Hz
- **Power Output** +5 V @ 30 A, +12 V @ 15 A, +3.3 V @ 28 A,
-5 V @ 0.3 A, -12 V @ 0.8 A, +5 VSB @ 2 A
- **Power Supply** Watt: 300 W, MTBF: 100,000 hrs
- **Weight (Gross)** 18 kg (39.7 lb)

System Hardware

- **Audio Ports** 1 x Mic-in, 1 x Line-out
- **Chipset** Intel 945G + ICH7R
- **CPU** Socket 775,
Intel Pentium D up to 3.2 GHz (Dual-core)
Intel Pentium 4 up to 3.8 GHz
Intel Celeron D up to 3.06 GHz
- **Expansion Slots** 1 x PCIe x16 4.0 GB/s per direction
1 x PCIe x4 1.0 GB/s per direction
5 x PCI 32-bit/33 MHz
- **Keyboard/Mouse** 2 x PS/2 for mouse & keyboard interface
- **LAN** 2 x 10/100/1000Base-T

Features

- Pentium® D up to 3.2 GHz/Pentium 4 up to 3.8 GHz/Celeron® D up to 3.06 GHz
- 15" XGA TFT LCD with touchscreen (optional) provides vivid, sharp images
- Offers 7 expansion slots for PCI and PCIe interface
- Detachable side-open front panel makes maintenance fast & easy
- Programmable membrane function keys for varied application access
- Heavy-duty design with anti-rust chassis with aluminum front panel (NEMA4/IP65)
- One front accessible USB 2.0 port

- **Memory** Four 240-pin Dual channel DDR2 DIMM sockets supports up to 4 GB (Clock 266)
- **Parallel Port** 1 x enhanced parallel port, supports SPP/EPP/ECP parallel mode. BIOS configurable to LPT1, LPT2, LPT3 or disabled
- **Serial Port** 1 x RS-232/422/485 on pin header
1 x RS-232 on rear I/O
- **USB Port** 1 x USB 2.0 on front panel
4 x USB 2.0 on rear I/O

LCD Display

- **Backlight Life** 50,000 hrs
- **Contrast Ratio** 500 : 1
- **Display Size** 15"
- **Display Type** XGA TFT LCD
- **Luminance** 250 cd/m²
- **Max. Colors** 16.2 M (RGB 6-bit + FRC data)
- **Max. Resolution** 1024 x 768
- **OSD Control** ON/OFF, Brightness down, up (behind the front panel)
- **Viewing Angle (H/V°)** 140/120

Touchscreen (Optional)

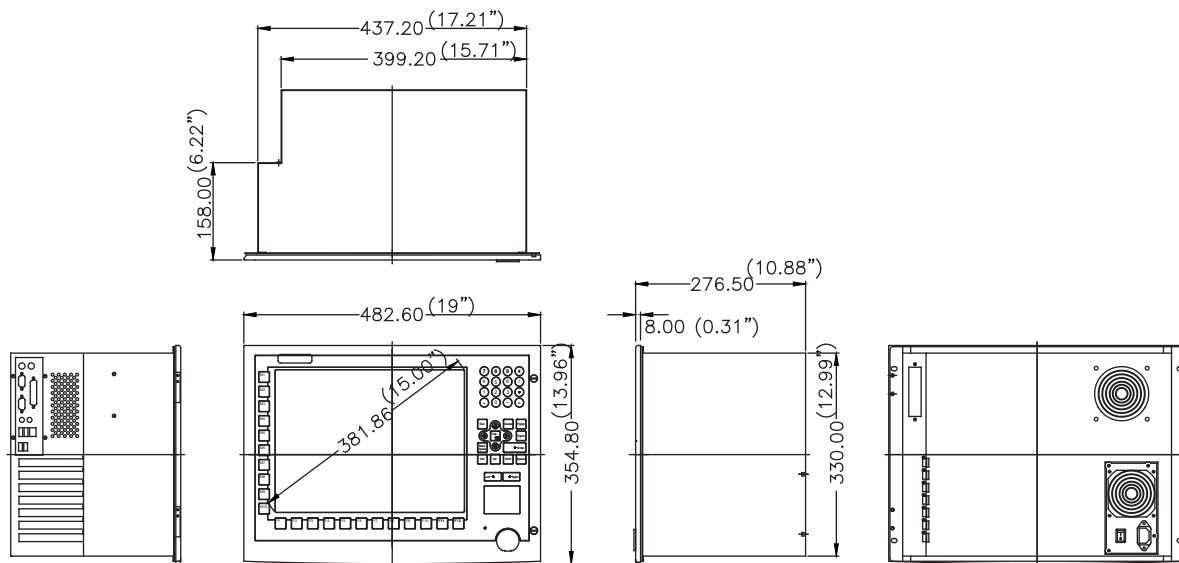
- **Interface** USB
- **Lifespan** 10 million with a silicone rubber of R8 finger, writing rate is by 250g at 2 times/s
- **Light Transmission** > 80% (AMT)
- **OS Support** Windows® 95/98/ME/2000/XP/CE/NT/Vista, Linux
- **Type** 8-wire Resistive

Environment

- **Humidity** 5 - 85% RH @ 40° C (non-condensing)
- **Ingress Protection** Front panel NEMA4/IP65
- **Operating Temperature** 0 - 50° C (32 - 122° F)
- **Storage Temperature** -20 - 60° C (-4 - 140° F)
- **Vibration Protection** 5 - 500 Hz, 1 G_{RMS} random vibration (operating)

Dimensions

Unit: mm



CUT OUT Dimensions 439.20(17.29")x332.00(13.07")

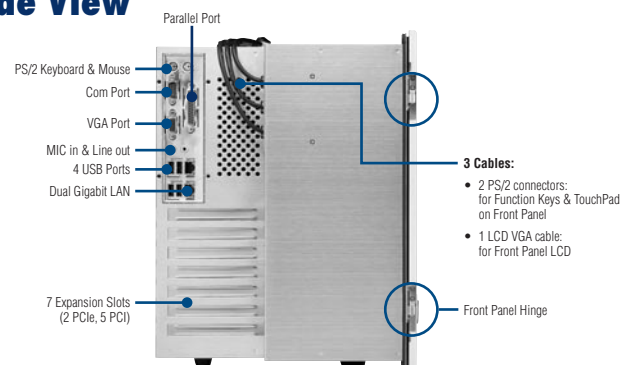
Ordering Information

- **IPPC-7157A-X1AE** 15" Pentium D Industrial Panel PC with 7 x PCI/PCle slots
- **IPPC-7157A-R1AE** 15" Pentium D Industrial Panel PC with 7 x PCI/PCle slots and resistive touchscreen

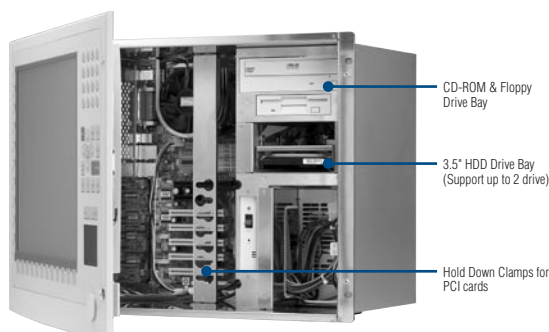
Accessories

- **1702002600** Power Cable US Plug 1.8 M
- **1702002605** Power Cable EU Plug 1.8 M
- **1702031801** Power Cable UK Plug 1.8 M
- **1702031836** Power Cable China/Australia Plug 1.8 M

Side View



Open View



Rear View

