

IPPC-6172A

17" SXGA TFT LCD Pentium® M/Celeron® M Industrial Panel PC with 2 x PCI Slots

NEW



Features

- 17" SXGA TFT LCD with touchscreen (optional)
- Intel® Pentium® M Processor up to 2.0 GHz/Celeron® M 1.5 GHz
- System memory supports dual channel DDR2 SDRAM up to 2 GB
- Offers two expansion slots for PCI add-on card
- Dual Lan, supports one Gigabit Lan
- Front USB access and System reset function
- Flat-Sealed front panel
- Control Box with gull-wing design for easy installation and maintenance
- Front panel NEMA4/IP65 compliant

Introduction

The IPPC-6172A is an Industrial Panel PC has front USB access, support Pentium M/Celeron M processor up to 2 GHz, DDR2 memory bus support up to 2 GB, Slim CD-ROM driver, two expansion PCI slots. The flat-sealed front panel design for easier cleaning and liquid run off. Also the control box has the gull-wing design for easy components installation and maintenance.

Specifications

General

- **BIOS** Award® 256 KB Flash BIOS
- **Certifications** UL, CE, FCC, CCC, BSMI
- **Cooling System** 2 x 19 CFM fans
- **Dimension (W x H x D)** 481.92 x 355.87 x 146 (18.97" x 14.01" x 5.75")
- **Disk Drive Bay** Support one 2.5" SATA HDD and built-in slim type CDROM
- **Mounting** Panel, Rack (option)
- **Power Input** 100 - 240 Vac @ 50 ~ 60 Hz, 4 - 2 A
- **Power output** +3.3 V @ 16.8 A, +5 V @ 12 A, +12 V @ 10 A, +5 Vsb @ 2 A, -12 V @ 0.8 A
- **Power Supply** 180 W, MTBF: 100,000 hrs
- **Weight (Gross)** 12 Kg

System Hardware

- **Audio Ports** Mic-in, Line-in, Line-out
- **Chipset** Intel 915 GME
- **CPU** Support Socket 478 based Intel Pentium M up to 2.0 GHz/Celeron M 1.5 GHz
- **Memory** Support up to 2 GB DDR2 SDRAM 400/533 MHz
- **HDD** 1 x SATA HDD interface (2.5" HDD bay)
- **CD-ROM Drive** Slim CD-ROM 24X
- **Network (LAN)** 10/100Base-T Ethernet x 1
Gigabit Ethernet x 1
- **Bus Expansion** 2 x low-profile PCI slots
- **Keyboard/Mouse** PS/2 interface
- **Parallel Port** 1 x enhanced parallel port, supports SPP/EPP/ECP parallel model. BIOS configurable to LPT1, LPT2, LPT or disabled
- **Serial Port** 1 x RS-232
- **USB Ports** 4 x USB 2.0 +1 x USB @ front panel
- **Video Port** VGA

LCD Display

- **Backlight Life** 50,000hrs
- **Contrast Ratio** 800 : 1
- **Display Size** 17"
- **Display Type** SXGA TFT LCD
- **Luminance** 300 cd/m²
- **Max. Colors** 16.7M (RGB 6-bit + FRC data)
- **Max. Resolution** 1280 x 1024
- **Viewing Angle (H/V°)** 160/160

Touchscreen (Optional)

- **Interface** RS-232
- **Lifespan** 10 millions times touch at single point
- **Light Transmission** > 80%
- **OS Support** Windows® 95/98/ME/2000/XP/CE/NT/Vista, Linux, MS-DOS
- **Type** Analog resistive 8-wire

Environment

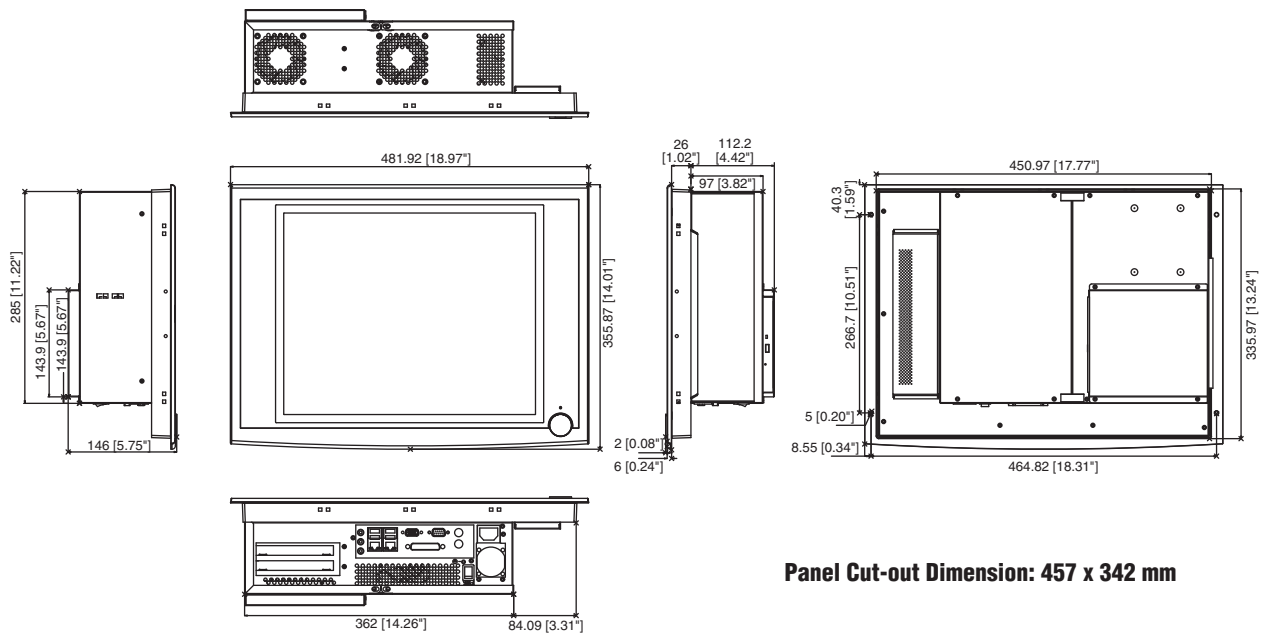
- **Humidity** 5 ~ 85% @ 40 °C (non-condensing)
- **Ingress Protection** Front panel: NEMA 4/IP 65
- **Operating Temperature** 0 ~ 50 °C (32 ~ 122 °F)
- **Storage Temperature** -20 ~ 60 °C (-4 ~ 140 °F)
- **Vibration Protection** 5 ~ 500 Hz, 1 Grms random vibration

Ordering Information

- **IPPC-6172A-X0AE** 17" SXGA TFT LCD Pentium M/Celeron M Industrial Panel PC with 2 x PCI Slots
- **IPPC-6172A-R0AE** 17" SXGA TFT LCD Pentium M/Celeron M Industrial Panel PC with 2 x PCI Slots with resistive touchscreen

Dimensions

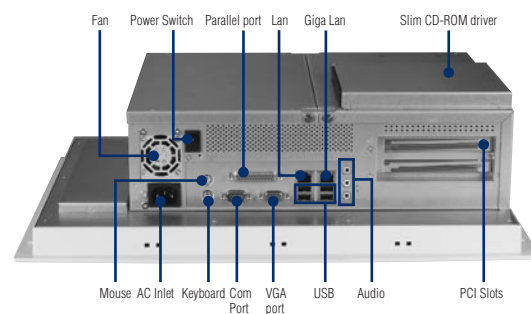
Unit: mm



Accessories

- **IPPC-6172A-RMKE** IPPC-6172A/FPM-5171G Rack Mount Kit
- **1702002600** Power Cable US Plug 1.8 M
- **1702002605** Power Cable EU Plug 1.8 M
- **1702031801** Power Cable UK Plug 1.8 M
- **1702031836** Power Cable China/Australia Plug 1.8 M

I/O View



Front Access USB Port

