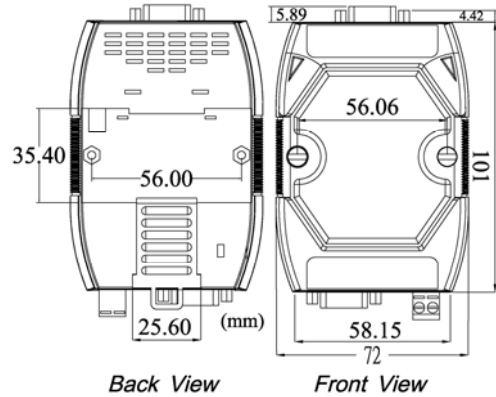




I-7530-FT



I-7530-FT is a RS-232/CAN low speed fault tolerant converter and can accurately convert messages between CAN and RS-232 communication media. It can resist more noise in harsh environment, and even access CAN messages with single line of CAN bus. In order to use the CAN network with traditional programmable RS-232 devices, we provide an easy way to achieve this purpose by several of user function call. It can be used in the application of CAN bus monitoring, building automation, remote data acquisition, environment control and monitoring, laboratory equipment & research, factory automation, etc.

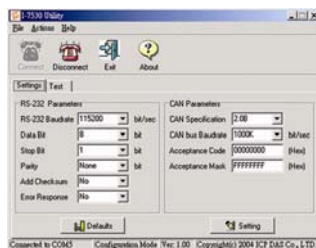
- Microprocessor inside with 20MHz
- Built-in CAN/RS-232 converter firmware
- Fully compatible with ISO 11898-3 standard
- Max transmission speed up to 125 kbps for CAN and 115.2 kbps for RS-232
- Support both CAN 2.0A and CAN 2.0B
- Build-in RS-232/CAN FIFO buffers
- Power, data flow and error indicator for CAN and RS-232
- Hardware watchdog design

- Utility tool for transmitting / receiving CAN messages

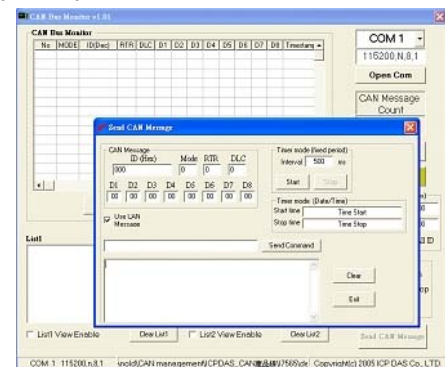
CAN Monitor & Data log Tools

- Show CAN messages by hex or decimal format
- CAN messages with timestamp
- Easy-to-use data logger for the diagnosis of the CAN networks and recording of the received data
- Send the predefined CAN messages manually or cyclically

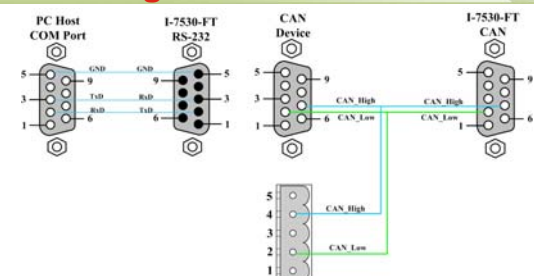
Utility Features



- CAN bus baud rate configuration
- CAN acceptance filter configuration
- CAN 2.0A or 2.0B specific selection
- Serial COM baud rate and data bit setting
- Serial COM command error response selection

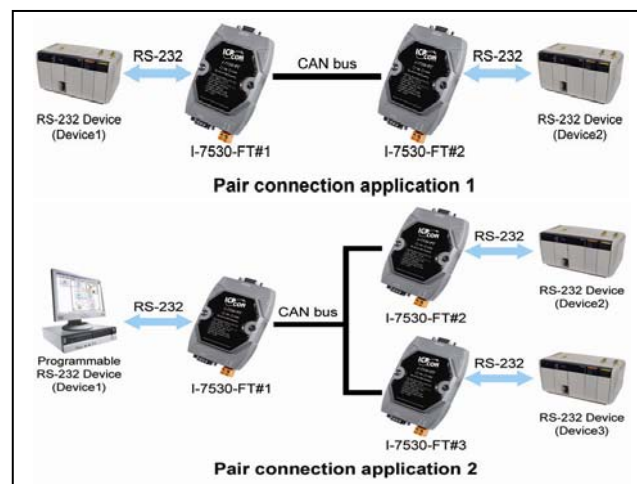
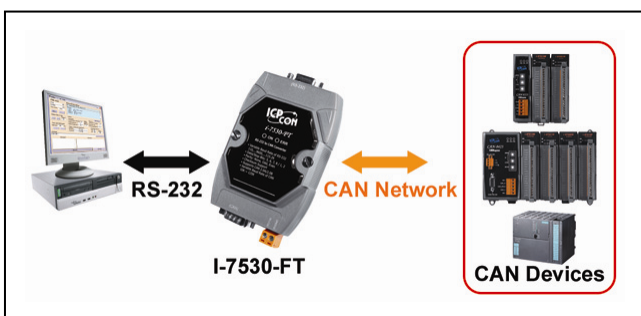


Wire Assignments



CAN Interface	
Controller	Microprocessor inside with 20MHz
Transceiver	AMIS 41682
Channel number	1
Connector	9-pin male D-Sub (CAN_L, CAN_SHLD, CAN_H, N/A for others)
Baud Rate (bps)	10 k, 20 k, 50 k, 125 kbps
Terminator Resistor	1 kΩ for CAN_H and CAN_L
Specification	ISO-11898-3, CAN 2.0A and CAN 2.0B
Receive Buffer	1000 data frames
UART Interface	
COM	RS-232
COM Connector	9-pin female D-Sub (DCE: TxD, RxD, GND, N/A for others)
Baud Rate (bps)	110, 150, 300, 600, 1200, 2400, 4800, 9600, 19200, 38400, 57600, 115200 bps
Data bit	5, 6, 7, 8
Stop bit	1, 2
Parity	None, Even, Odd
Receive Buffer	900 data frames
LED	
Round LED	ON LED: Power and Data Flow; ERR LED: Error
Power	
Protection	Power reverse polarity protection, Over-voltage brown-out protection
Power Consumption	1 W
Mechanism	
Installation	DIN-Rail
Dimensions	118mm x 72mm x 33mm
Environment	
Operating Temp.	-25 ~ 75 °C
Storage Temp.	-40 ~ 80 °C
Humidity	5 ~ 95% RH, non-condensing

Applications



Ordering Information

I-7530-FT-G	Intelligent RS-232/CAN low speed fault tolerant converter
I-7530-FT-G CR	Intelligent RS-232/CAN low speed fault tolerant converter (RoHS)