

FPM-8232V

23" UXGA Marine Grade Monitor with Direct-VGA, S-Video and DVI Ports

NEW



Features

- 23" UXGA TFT LCD for outdoor visibility
- Dimming knob controls backlight brightness from nearly 2% to 100%
- Front OSD control with PIP (picture in picture) function
- Wide voltage power input 24 V_{DC}
- Direct-VGA, DVI-D, Video & S-Video input interfaces
- Chassis ESD/ grounding protection
- Robust design with anti-rust aluminum housing and IP65 compliant front panel
- DNV standard 2.4 certified and IEC-60945 & IACS-E10 approved
- Front accessible mounting mechanism for marine bridge systems

Introduction

FPM-8232V is a 23" UXGA monitor with dimming knob control from 2% ~ 100%, designed for marine industry applications. Constructed from marine grade aluminum with a UV protected powder coating, FPM-8232V ensures reliability even in harsh outdoor conditions. FPM-8232V can also accept up to 4 common video inputs, including VGA, DVI, S-Video, and Video as well as three stage PIP (picture in picture) with floating and resizable windows. Advantech's marine display is the right choice for any marine application due to its ease of installation, outstanding viewing capabilities and reliability.

Specifications

General

- **Button Controls** Front OSD control pad with dimming control knob
- **Certifications** CCC, CE, FCC, DNV, IEC 60945, IACS-E10
- **Dimensions (W x H x D)** 584 x 534 x 115.1 mm (22.9" x 21" x 4.5")
- **Enclosure** Aluminum with coating
- **Mounting** Panel
- **Power Input** 80 W, 24 V_{DC}, 3.3 A
100 ~ 240 V_{AC} (Optional)
- **Video Port** VGA, DVI-D, Composite Video, S-Video
- **Weight** 18 Kg (39.68 lbs)

LCD Display

- **Display Type** UXGA TFT LCD
- **Display Size** 23"
- **Max. Resolution** 1600 x 1200
- **Max. Colors** 16.7M
- **Luminance (cd/m²)** 250
- **Viewing Angle (H/V°)** 170/170
- **Backlight Life (hrs)** 50,000
- **Contrast Ratio** 500:1

Environment

- **Operation Temperature** -10 ~ 55° C (14 ~ 131° F)
- **Storage Temperature** -40 ~ 60° C (-40 ~ 140° F)
- **Humidity (Storage)** 100% non-condensing
- **Waterproof Front Panel** IP65, IP54 rear cover
- **Vibration** Frequency range: 3 ~ 13.2 Hz, Amplitude: 1.0mm (peak value)
Frequency range: 13.2 ~ 100 Hz, Acceleration amplitude: 0.7g

Remote Command Code

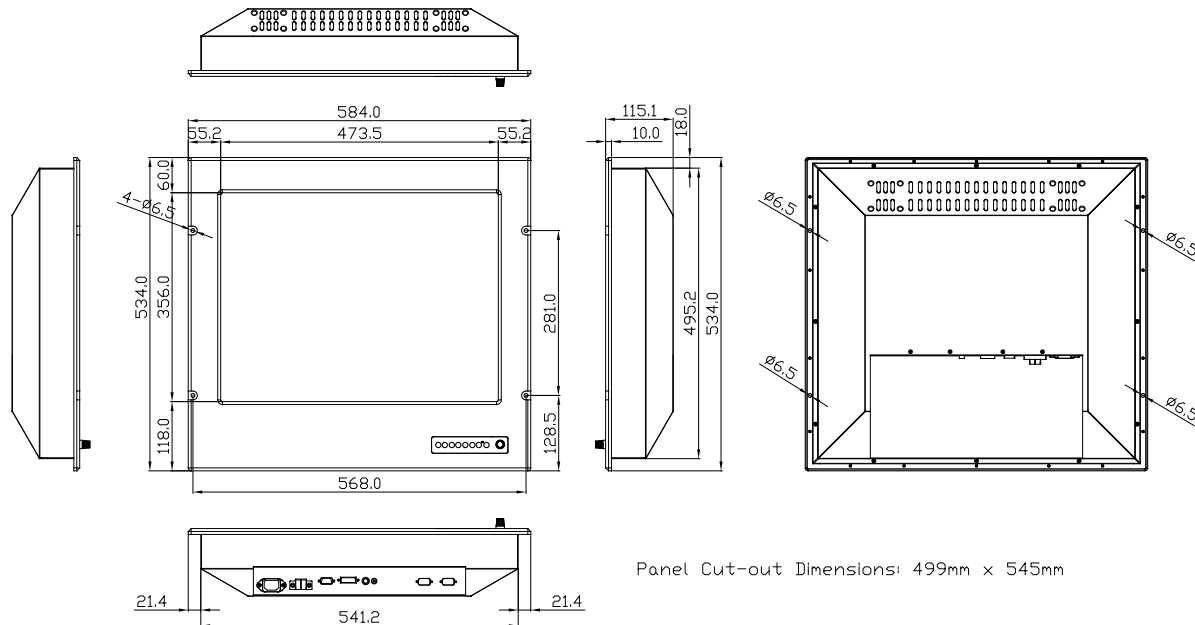
01	DOWN	0x04, 0x12, 0x02, 0xE8, 0x00
02	UP	0x04, 0x12, 0x03, 0xE7, 0x00
03	LEFT	0x04, 0x12, 0x05, 0xE5, 0x00
04	RIGHT	0x04, 0x12, 0x06, 0xE4, 0x00
05	ENTER	0x04, 0x12, 0x07, 0xE3, 0x00
06	EXIT	0x04, 0x12, 0x08, 0xE2, 0x00
07	SWAP	0x04, 0x12, 0x0A, 0xE0, 0x00
08	SOURCE	0x04, 0x12, 0x0E, 0xDC, 0x00
09	POWER	0x04, 0x12, 0x0F, 0xDB, 0x00
10	AUTO ADJUST	0x04, 0x12, 0x11, 0xD9, 0x00
11	ASPECT	0x04, 0x12, 0x14, 0xD6, 0x00
12	MENU	0x04, 0x12, 0x15, 0xD5, 0x00
13	PIP	0x04, 0x12, 0x16, 0xD4, 0x00
14	VolDown	0x04, 0x12, 0x19, 0xD1, 0x00
15	VolUp	0x04, 0x12, 0x1A, 0xD0, 0x00
16	RESET	0x04, 0x12, 0x23, 0xC7, 0x00
17	AUTO COLOR	0x04, 0x12, 0x29, 0xC1, 0x00
18	FLIP	0x04, 0x12, 0x2C, 0xBE, 0x00
19	MUTE	0x04, 0x12, 0x2D, 0xBD, 0x00
20	ACK	0x03, 0x0C, 0x F1

Ordering Information

- **FPM-8232V-X0AE** 23" UXGA Marine Grade Monitor

Dimensions

Unit: mm



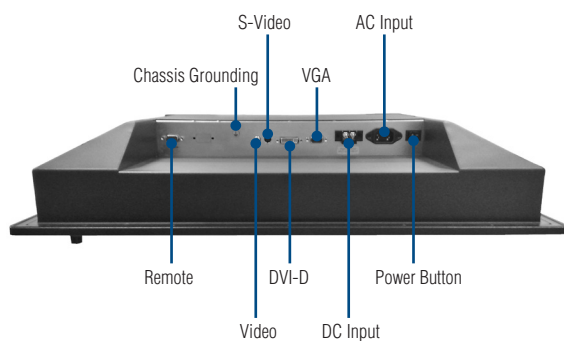
Accessories

- 1702002600 Power Cable US Plug 1.8 M
- 1702002605 Power Cable EU Plug 1.8 M
- 1702031801 Power Cable UK Plug 1.8 M
- 1702031836 Power Cable China/Australia Plug 1.8 M

Front View (Panel Mount)



I/O View



Front OSD with Dimming Knob

