

FPM-2150G

Industrial 15" Flat Panel Monitor with Direct-VGA Port



Features

- 15" XGA TFT LCD with resolution up to 1024 x 768
- Multi-scan function supports XGA, SVGA, VGA
- Front accessible display on/off switch
- Auto-recognition of input signal
- Supports panel, rack, wall mount, desktop and VESA arm
- NEMA4/IP65 compliant Al-Mg front panel
- Anti-reflective screen with tempered glass
- Hard anodic coating to prevent panel abrasion and acid corrosion

Introduction

FPM-2150G is an industrial-grade 15" TFT LCD flat panel monitor with an Al-Mg front panel, a modern appearance, and one of the most competitive prices for 15" LCD monitors on the market. The FPM-2150G is also extremely light and thin, and provides many industrial-grade features such as a NEMA4/IP65 certified front panel, stainless steel chassis, VESA mounting flexibility, and more. The FPM-2150G is especially suitable for industrial PCs such as IPC-610 or IPC-6806. This combination leads to an extremely reliable and tough system, ready to operate in a wide variety of industrial applications.

Specifications

General

- **Button Controls** OSD control pad on front panel
- **Certifications** BSMI, CCC, CE, UL, FCC class B
- **Dimensions (WxHxD)** 383 x 307 x 48 mm (15" x 12" x 1.89")
- **Enclosure** Al-Mg
- **Mounting** Panel, rack, wall, desktop and VESA arm
- **Power Input** External 42 W power adapter, AC 100 V ~ 240 V input, +12 V @ 3.5 A output
- **Video Ports** VGA
- **Weight (Net)** 3.7 kg (8.2 lb)

LCD Display

- **Backlight Life** 40,000 hrs
- **Contrast Ratio** 500 : 1
- **Display Size** 15"
- **Display Type** XGA TFT LCD
- **Luminance** 250 cd/m²
- **Max. Colors** 16.2 M
- **Max. Resolution** 1024 x 768
- **Viewing Angle (H/V°)** 140/120

Touchscreen (Optional)

- **Interface** RS-232 or USB 1.1
- **Lifespan** 1 million touches at a single point
- **Light Transmission** 75%
- **Power Consumption** RS-232: +5 V @ 200 mA
USB: +5 V @ 100 mA
- **OS support** Windows® 98/2000/XP
- **Resolution** 1024 x 1024
- **Type** 8 wire, analog resistive

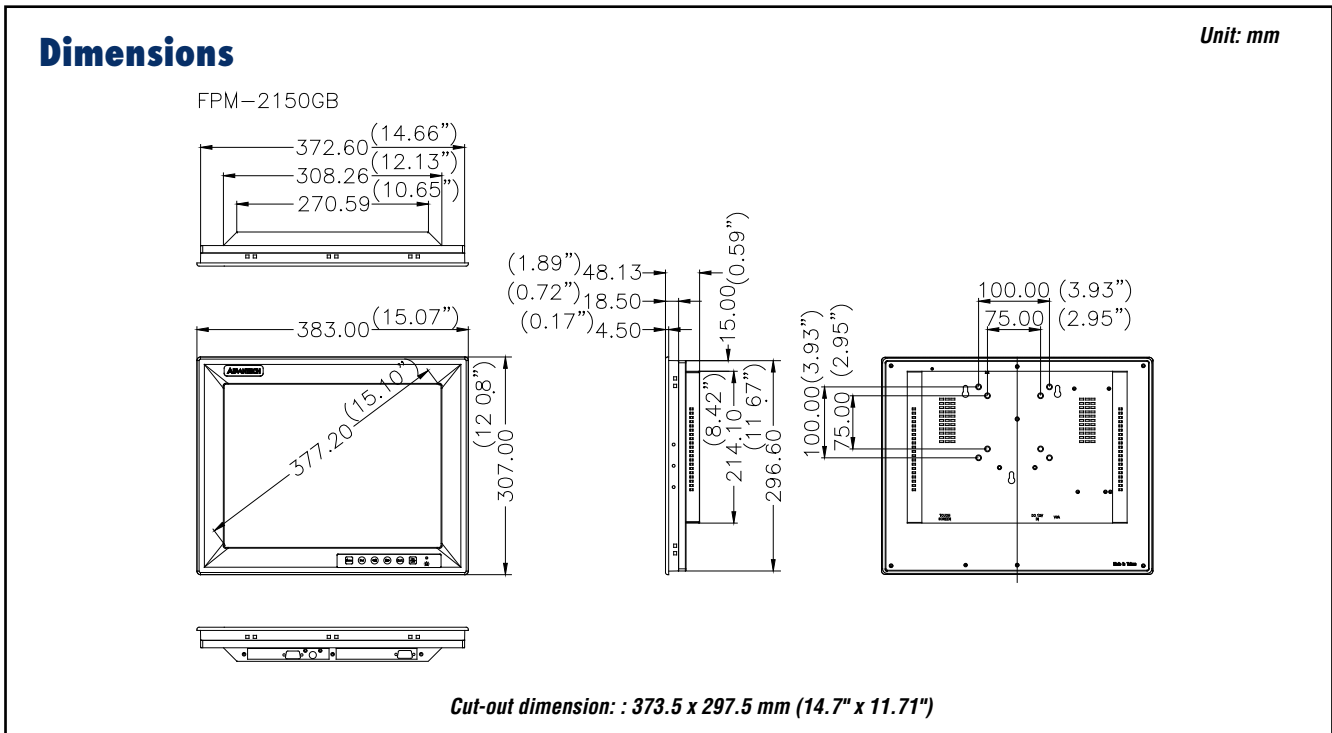
Environment

- **Humidity (Storage)** 5 ~ 95 % non-condensing
- **Ingress Protection** NEMA4, IP65
- **Operating Temperature** 0 ~ 50° C (32 ~ 122° F)
- **Storage Temperature** -20 ~ 60° C (-4 ~ 140° F)
- **Vibration Protection** 5~500 Hz, 1 Grms (Operating, Random)

Ordering Information

- **FPM-2150GB** Industrial slim type 15" TFT LCD with direct VGA port, black
- **FPM-2150GB-R** Industrial slim type 15" TFT LCD with direct VGA port, resistive touch screen, with RS-232 Interface, black
- **FPM-2150GB-U** Industrial slim type 15" TFT LCD with direct VGA port, resistive touch screen with USB 1.1 interface, black
- **FPM-2150RACK-MT** Mounting kit for 19" industrial rack
- **FPM-2150DESK-MT** Mounting kit for desktop and wall

1	Software
2	IPPC
3	TPC
4	FPM
5	ATM & AWS
6	DA&C
7	cPCI
8	ADAM-3000
9	Motion Control
10	ICOM
11	Industrial Networking
12	UNO
13	ADAM-4000
14	ADAM-5000
15	ADAM-6000
16	ADAM-8000
17	BAS



Feature Details

Commercial Price but Industrial-Grade

When users want a stable system, they always search for industrial grade PCs to guarantee reliability. Many times they also want to buy an industrial-grade monitor to make the system more stable. However, the traditional high cost of these monitors has always been a concern. The FPM-2150G is specially designed to answer these needs. Although attractively priced, the FPM-2150G still provides many industrial-grade features expected by this market.

Thin and Light Design

Compared to other industrial LCD monitors, the FPM-2150G focuses on reducing overall size, thickness and weight. This gives the FPM-2150G a more attractive and functional appearance while increasing ease of integration and installation. The thickness of FPM-2150G is only 48 mm and the weight is 3.7 kg.

Industrial-Grade Functions

The chassis of the FPM-2150G is made of steel, and the front panel is of Al-Mg that is NEMA4/IP65 compliant and offers an attractive silver finish by request. The FPM-2150G offers an optional resistive touchscreen and features Direct-VGA signal transmission to allow data viewing up to 3 m away. The convenient front On-Screen-Display function let users adjust the image easily.