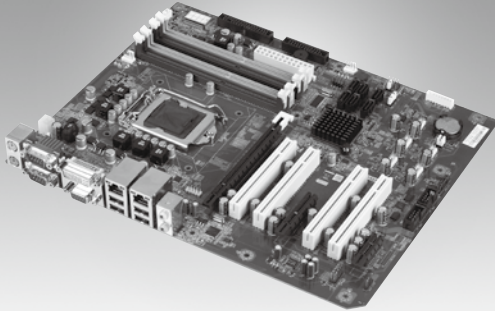


AIMB-780

Intel® Core™ i7/i5/i3/Pentium®/Xeon® with DVI/VGA, 4 COM, Dual LAN, DDR3

NEW



Features

- Supports Intel® Core™ i7/i5/i3/Pentium®/Xeon® processor with Q57/3450 chipset
- Four DIMM sockets support up to 16 GB DDR3 800/1066/1333
- Supports dual display VGA and DVI and dual GbE LAN
- Supports SATA RAID 0, 1, 5, 10, AMT6.0, TPM1.2 (optional)
- Supports embedded software APIs and utilities

Software APIs:



Utilities:



Note: eSOS need ODM BIOS by request

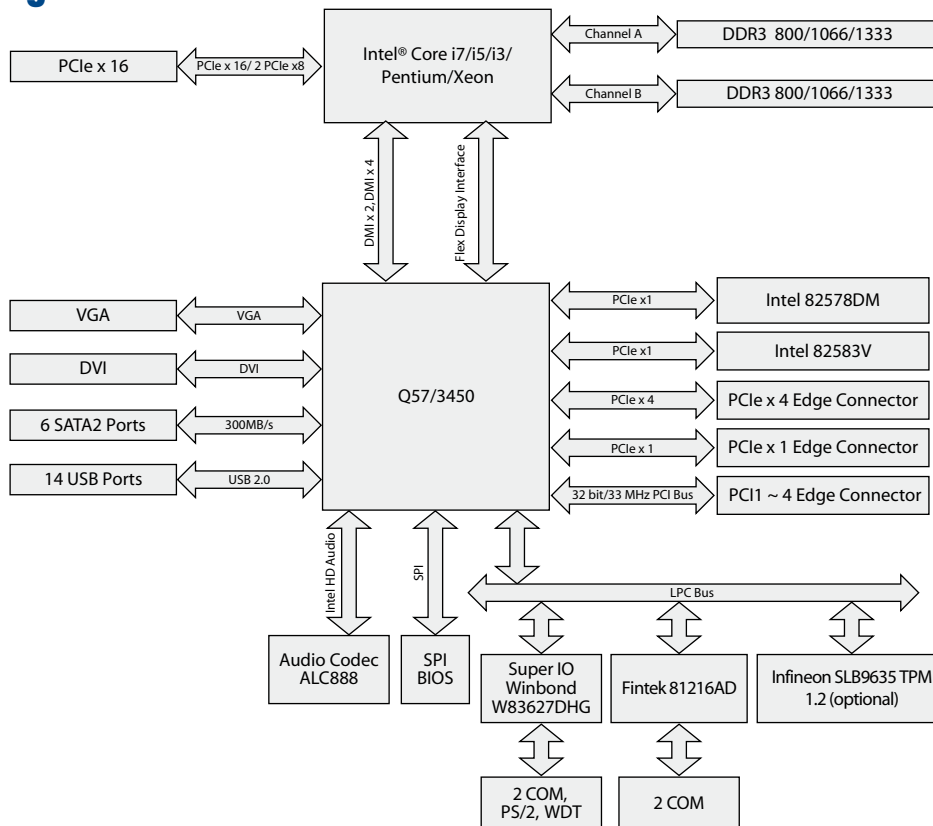


CE FCC

Specifications

Processor System	CPU	Xeon 34xx	Core i7 8xx	Core i5 7xx	Core i5 6xx	Core i3 5xx	Pentium G69xx
	Core Number	4	4	4	2	2	2
	Speed	2.93 Ghz	2.93 Ghz	2.66 Ghz	3.3 GHz	3.06 GHz	2.8 GHz
	Integrated Graphics	-	-	-	Yes	Yes	Yes
	L2 Cache	8 MB	8 MB	8 MB	4 MB	4 MB	3 MB
	Support Model	WG2	QG2	QG2	WG2/QG2	WG2/QG2	WG2/QG2
	Socket	LGA1156					
	Chipset	Q57 for QG2 version; 3450 for WG2 version (WG2 only supports Xeon 34xx, Core i5 6xx, Core i3 5xx, and Pentium G69XX CPUs)					
	BIOS	AMI 64 Mbit SPI					
Expansion Slot	PCI	32-bit/33 MHz, 4 slots					
	PCIe x1	250 MB/s per direction, 1 slot					
	PCIe x4	1.0 GB/s per direction, 1 slot					
	PCIe x16 (Gen2)	8 GB/s per direction, 1 slot					
Memory	Technology	Dual Channel DDR3 800/1066/1333 (Only WG2 SKU supports ECC memory)					
	Max. Capacity	16 GB					
	Socket	4 x 240-pin DIMM					
Graphics	Controller	Intel HD Graphics (Only the Core i5 6xx, Core i3 and Pentium CPUs with dual core are embedded with integrated graphics)					
	VRAM	1 GB maximum shared memory with 2 GB and above system memory installed					
Ethernet	Interface	10/100/1000 Mbps					
	Controller	GbE LAN1: Intel 82578DM, GbE LAN2: Intel 82583V					
	Connector	RJ-45 x 2					
SATA	Max Data Transfer Rate	300 MB/s					
	Channel	6					
Rear I/O	VGA	1					
	DVI	1					
	Ethernet	2					
	USB	4 (USB 2.0 compliant)					
	Audio	2 (Mic-in, Line-out)					
	Serial	2 (RS-232)					
	PS/2	2 (1 x keyboard and 1 x mouse)					
Internal Connectors	USB	10 (USB 2.0 compliant)					
	Serial	2 (1 x RS-232, 1 x RS-232/422/485 for support auto flow control)					
	IDE	-					
	SATA	6					
	FDD	1					
	Parallel	1					
	IrDA	-					
Watchdog Timer	Output	System reset					
	Interval	Programmable 1 ~ 255 sec/min					
Power Requirement	Power On	Intel Core i5-660 processor and disable C state ; DDR3 2 GB x 4					
		5 V	3.3 V	12 V	5 Vsb	-12 V	
		4.23 A	0.96 A	3.93 A	1.18 A	0.01A	
Environment		Operating			Non-Operating		
	Temperature	0 ~ 60° C (32 ~ 140° F), depends on CPU speed and cooler solution			-40 ~ 85° C (-40 ~ 185° F)		
Physical Characteristics	Dimensions	304.8 x 244 mm (12" x 9.6")					

Board Diagram



Ordering Information

Part Number	Chipset	Memory	USB	COM	GbE LAN	TPM
AIMB-780QG2-00A1E	Q57	Non-ECC	14	4	2	None
AIMB-780WG2-00A1E	3450	ECC/ Non-ECC	14	4	2	Optional

Riser Card

Part Number	Description
AIMB-RP10P-01A1E	1U riser card with 1 PCI expansion
AIMB-RP30P-03A1E	2U riser card with 3 PCI expansion
AIMB-RP3PF-21A1E	2U riser card with 1PCIe x16 & 2 PCI slot expansion
AIMB-RP3P8-12A1E	2U riser card with 2PCIe x8 & 1 PCI slot expansion (only for WG2 Sku)

Bracket View



AIMB-780QG2-00A1E
AIMB-780WG2-00A1E

Packing List

Part Number	Description	Quantity
1700003194	SATA HDD cable	x2
1703150102	SATA power cable	x2
1701092300	COM port cable kit	x1
1960019193T000	I/O port bracket	x1
2002078010	Startup manual	x1
2062078000	Driver CD	x1

Optional Accessories

Part Number	Description
1700002204	Dual port USB cable (27 cm) with bracket
1960047669N001	LGA1156 CPU cooler for 4U and wallmount chassis
1700008809	Printer port cable kit

Note: Purchasing AIMB-780's proprietary CPU cooler from Advantech is a must. Other brands' CPU coolers are NOT compatible with AIMB-780.