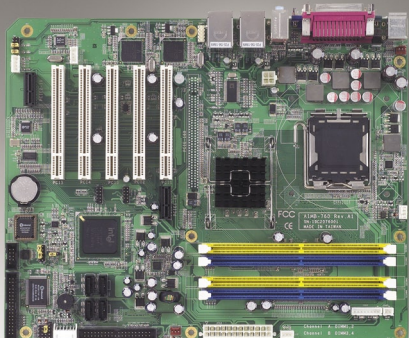


# AIMB-760

**LGA775 Pentium® 4/ Celeron® D  
Processor-based ATX with DDR2/  
Dual GbE LAN**



CE FCC

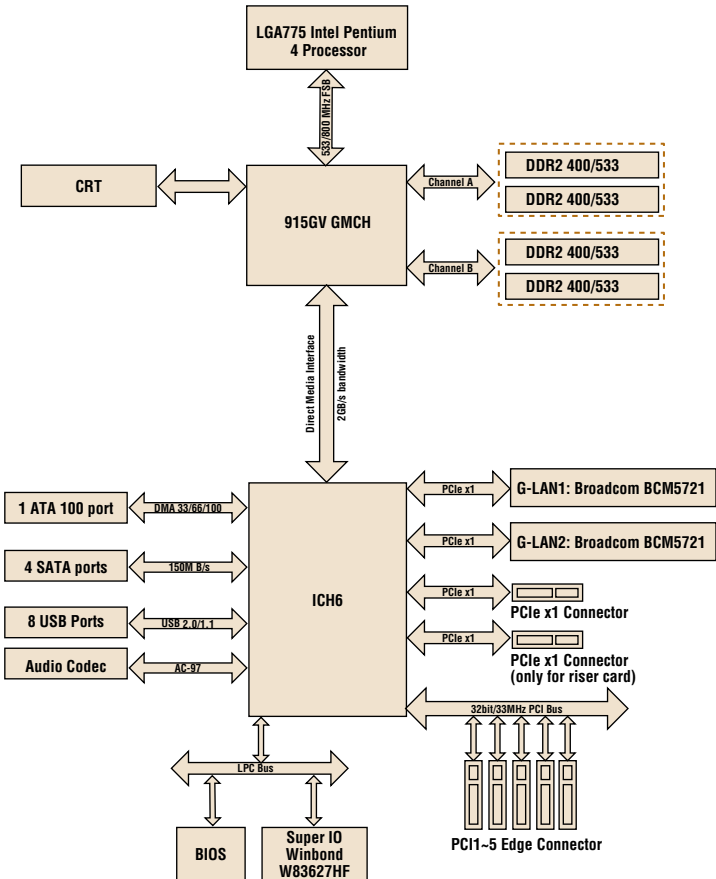
## Features

- Intel® 915GV chipset 800 MHz FSB
- Supports dual channel DDR2 400/533 SDRAM
- Chipset integrated VGA
- Four SATA ports
- Supports dual 10/100/1000Base-T Ethernet via dedicated PCIe x 1 bus
- CMOS automatic backup and restore to prevent accidental data loss of BIOS setup
- Compatible with Advantech's 2U, 4U, 5U and 7U chassis

## Specifications

|                          |                         |  |                           |         |        |        |
|--------------------------|-------------------------|--|---------------------------|---------|--------|--------|
| Processor System         | CPU                     | Intel Pentium® 4   | Intel Celeron® D          |         |        |        |
|                          | Max. Speed              | 3.8 GHz  | 3.06 GHz                  |         |        |        |
|                          | L2 Cache                | 2048 KB/1024 KB  | 256 KB                    |         |        |        |
|                          | Chipset                 | Intel 915GV+ICH6   |                           |         |        |        |
|                          | BIOS                    | Award 4 Mb FWH   |                           |         |        |        |
|                          | Front Side Bus          | 533/800 MHz  |                           |         |        |        |
| Expansion Slot           | PCIe x1                 | 250 MB/s per direction, 1 slot                                       |                           |         |        |        |
|                          | PCI                     | 32-bit/33 MHz, 5 slots   |                           |         |        |        |
| Memory                   | Technology              | Dual channel DDR2 400/533 SDRAM                                      |                           |         |        |        |
|                          | Max. Capacity           | 4 GB   |                           |         |        |        |
|                          | Socket                  | 240-pin DIMM x 4   |                           |         |        |        |
| Graphic                  | Controller              | Chipset integrated VGA controller (No PCIe x16 slot)                 |                           |         |        |        |
|                          | VRAM                    | Dynamically shared system memory up to 128 MB                        |                           |         |        |        |
| Ethernet                 | Interface               | 10/100/1000Base-T  |                           |         |        |        |
|                          | Controller              | Broadcom BCM5721 (PCIe x1) x 2                                       |                           |         |        |        |
|                          | Connector               | RJ-45 x 2  |                           |         |        |        |
| SATA                     | Max. Data Transfer Rate | 150 MB/s   |                           |         |        |        |
|                          | Channel                 | 4  |                           |         |        |        |
| EIDE                     | Mode                    | ATA 100/66/33  |                           |         |        |        |
|                          | Channel                 | 1 (Max. two devices)   |                           |         |        |        |
| I/O Interface            | VGA                     | 1  |                           |         |        |        |
|                          | LAN                     | 1 (for VG version); 2 (for G2 version)                               |                           |         |        |        |
|                          | USB                     | 8 (USB 2.0, 480Mbps; 4 external ports and 4 on-board pin headers)    |                           |         |        |        |
|                          | Audio                   | 2 (LINE-Out and MIC-In)  |                           |         |        |        |
|                          | Serial                  | 2 (RS-232, 1 port and 1 onboard pin header)                          |                           |         |        |        |
|                          | Parallel                | 1 (SPP/EPP/ECP)  |                           |         |        |        |
|                          | FDD                     | 1  |                           |         |        |        |
|                          | PS/2                    | 2 (Keyboard and Mouse)   |                           |         |        |        |
| Watchdog Timer           | Output                  | Interrupt, system reset  |                           |         |        |        |
|                          | Interval                | Programmable 1 ~ 255 sec.  |                           |         |        |        |
| Power Requirement        | Typical                 | Pentium 4 3.4GHz (800 MHz FSB), 2 x 512MB, 2 x 256MB DDR2 533 SDRAM  |                           |         |        |        |
|                          |                         | +5 V   | -5 V                      | +12 V   | -12 V  | +5 VSB |
|                          |                         | 6.64 A   | 0.01 A                    | 12.59 A | 0.01 A | 0.3 A  |
| Environment              |                         | Operating  | Non-Operating             |         |        |        |
|                          | Temperature             | 0 ~ 60 °C (32 ~ 140 °F), depends on CPU's speed and cooler solution. | -20 ~ 70 °C (-4 ~ 158 °F) |         |        |        |
| Physical Characteristics | Dimensions (W x D)      | 304.8 mm x 244 mm (12" x 9.6")                                       |                           |         |        |        |

**Block Diagram**



**Ordering Information**

| Part Number     | Gigabit LAN | VGA |
|-----------------|-------------|-----|
| AIMB-760VG-00A1 | Single      | Yes |
| AIMB-760G2-00A1 | Dual        | Yes |

**Packing List**

| Part Number | Description                   | Quantity |
|-------------|-------------------------------|----------|
| 1700340640  | FDD cable                     | X 1      |
| 1701400452  | IDE HDD cable                 | X 2      |
| 1700071000  | Serial ATA HDD data cable     | X 2      |
| 1703150102  | Serial ATA HDD power cable    | X 2      |
| 170304015K  | ATX 12V power converter cable | X 1      |
| 1701090401  | COM port cable kit            | X 1      |
| 9689000068  | Jumper pack                   | X 1      |
| 1960004027  | I/O port bracket              | X 1      |
| -           | Startup manual                | X 1      |
| -           | Utility CD                    | X 1      |

**Bracket View**



AIMB-760VG-00A1



AIMB-760G2-00A1

**Accessories**

| Part Number | Description   |
|-------------|---|
| 1750000334  | LGA 775 CPU cooler up to 3.8 GHz (115 W), 4U, 5U and 7U chassis     |
| 1750000332  | LGA 775 CPU cooler up to 3.8 GHz (115 W), 2U, 4U, 5U and 7U chassis |