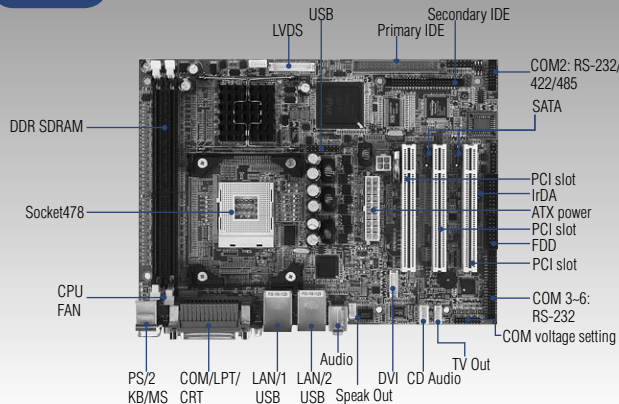


AIMB-640

Socket 478 AdvancedATX SBC for Kiosk Applications

NEW



Features

- AIMB-640 is compatible with MicroATX
- Supports Socket 478 Intel® Pentium® 4/Celeron® D/Pentium® 4 M
- Supports DDR 333 SDRAM
- Intel® 852GME chipset 400/533 MHz FSB
- Integrated Graphic
- Dual Display Function support CRT + LVDS, DVI + LVDS
- Supports 2 10/100Base-T Ethernet or 2 10/100/1000Base-T Ethernet (option)
- 6 USB 2.0 ports
- 6 COM
- 3 PCI slots and 1 mini PCI
- Supports up to 2 SerialATA devices (optional)
- TV Out (optional)

Specifications

General

- **CPU** Socket 478 support Intel Celeron D/Pentium 4
- **2nd Cache Memory** Celeron D 335 :256 KB/Pentium 4: 512 KB
- **System Chipset** Intel 852GME/ICH4 Chipset
- **BIOS** 4 Mbit Flash BIOS
- **System Memory** DDR DIMM x 2, Max. 2 Gb
- **Power Management** APM 1.2, supports ACPI
- **SSD** CompactFlash® card support
- **Watch Dog Timer** 1 ~ 255 sec, System reset
- **Expansion Interface** 3 x PCI slots, 1 x miniPCI socket
- **Battery** Lithium 3 V/220 mA

I/O

- **I/O Interface** 2 x EIDE (40-pin Ultra DMA 66 &100 and 44-pin Ultra DMA 33), 1 x K/B, 1 x mouse, 1 x RS-232/422/485, 5 x RS-232, 1 x LPT
- **USB** 6 x USB 2.0
- **Audio** Supports AC' 97
- **IrDA** 115.2 Kbps, IrDA 1.0 compliant
- **GPIO** 4 TTL digital out, 4 TTL digital in

Ethernet

- **Chipset** Intel 82551 or Intel 82562 or Intel 82541GI (10/100/1000 Mbps optional)
- **Speed** 10/100Base-T or 1000Base-T
- **Interface** Dual LAN ports
LAN 1: Intel 82562EZ (FE); Intel 82541 (Gigabit)
LAN 2: Intel 82551QM (FE); Intel 82541GI (Gigabit),
- **Standard** IEEE 802.3, IEEE 802.3u, IEEE 802.3z/ab (optional)

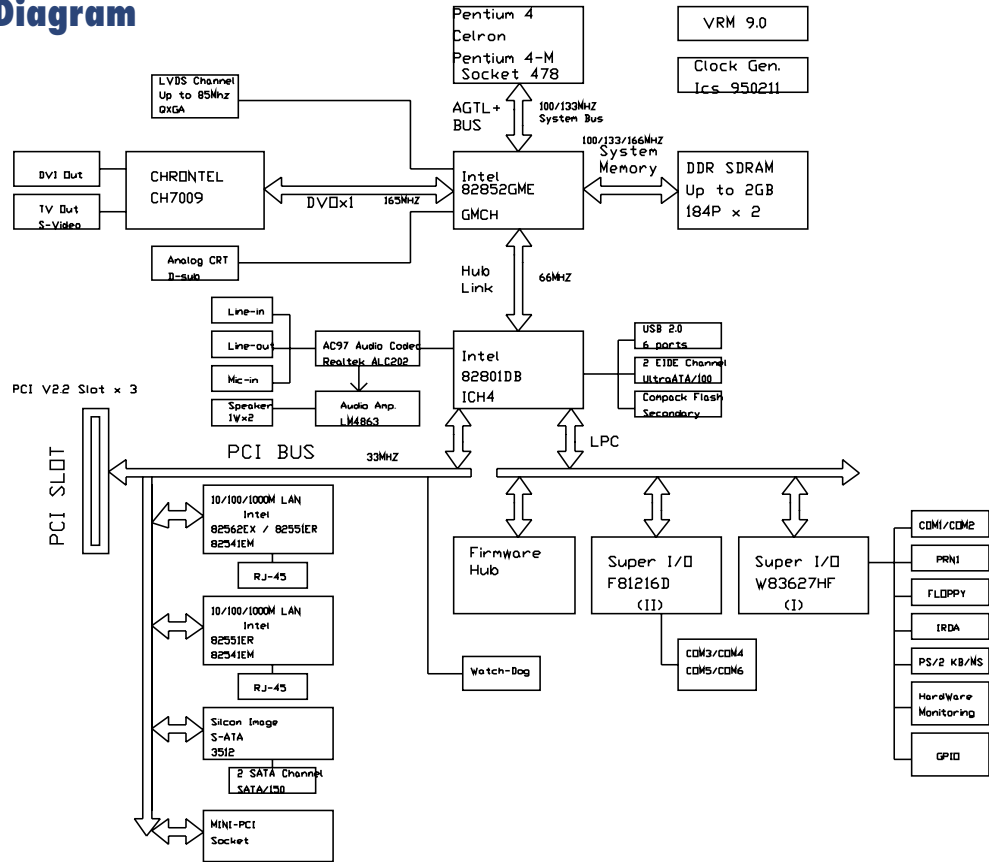
Display

- **Chipset** Intel 852GME
- **Memory Size** Direct Memory Execution model to use system 64 MB memory
- **Resolution** Maximum 3D Resolution Supported:
1600 x 1200 @ 32 bpp at 85 Hz
2048 x 1536 @ 32 bpp at 75 Hz
Maximum Video Overlay Display Resolution:
1600 x 1200 @ 32 bpp at 60 Hz
1280 x 1024 @ 32 bpp at 85 Hz
- **Dual Independent Display** CRT+ LCD panel (LVDS)
DVI+ LCD panel (LVDS)
CRT + DVI

Mechanical and Environmental

- **Dimension (L x W)** 244 x 180 mm
- **Weight** 0.56 kg (weight of single board)
- **Operating Temperature** 0 ~ 60° C (32 ~ 140° F), operating
- **Operating Humidity** 0% ~ 90% relative humidity, noncondensing
- **Power Supply Voltage** +5 V ±5 %, +12 V ±5 %, -12 V ±5 %
- **Power Consumption** 5 V ±5 %, 12 V ±5 %, 3.3 V ±5 %
P4-2.8 G + 512 DDR RAM
Celeron D + 512 DDR RAM

Board Diagram



Packing List

- 1 x AIMB-640 SBC
- 1 x Startup Manual
- 1 x Utility CD
- 2 x IDE HDD cable (p/n: 1701400452)
- 1 x ATX 12V power converter cable (p/n: 170304015K)
- 1 x COM port cable kit (p/n: 1701090401)
- 1 x Jumper pack (p/n: 9689000068)
- 1 x I/O port bracket (p/n: 1962015680)

Ordering Information

Standard

- AIMB-640F-00A1 Skt478 SBC, W/dual Ethernet LAN/DVI/2 SATA/6com
- AIMB-640L-00A1 Skt478 SBC, W/single Ethernet LAN/2com

Optional Accessories

- FDD cable (p/n: 1700340640)
- 2 serial ATA HDD data cable (p/n: 1700071000)
- 2 serial ATA HDD power cable (p/n: 1703150102)
- DSB cable (2.54 mm) (p/n: 1700000719)