

# AIMB-556

Socket 478 Core™ 2 Duo/Core Solo  
Processor-based MicroATX with  
DDR2/Dual GbE LAN/4 COM

NEW



## Features

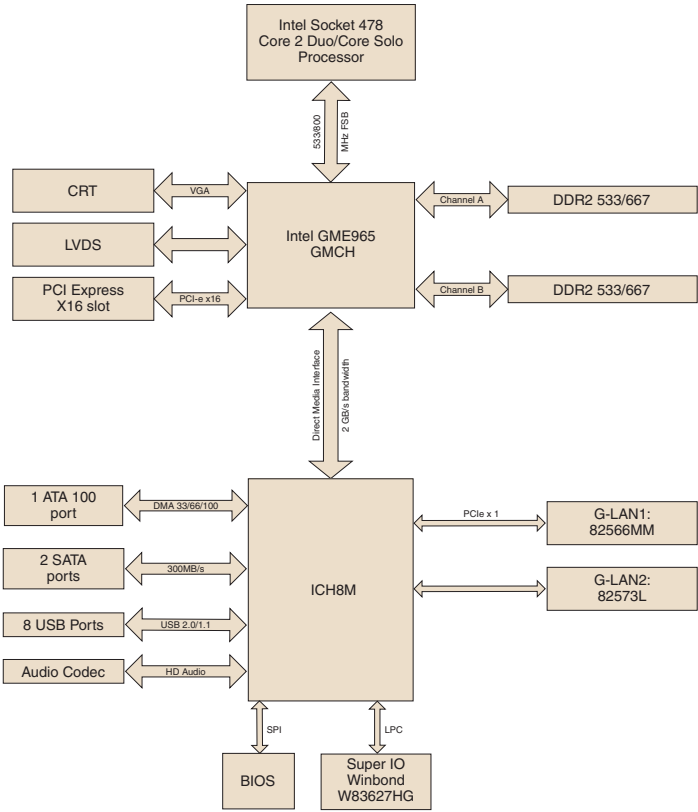
- Intel® GME965 with ICH8M chipset 533/800 MHz FSB
- Supports dual channel DDR2 533/667 SDRAM up to 4 GB
- Supports dual 10/100/1000Base-T Ethernet via dedicated PCIe x1 bus
- Dual display for supporting both VGA and LVDS
- Chipset integrated VGA
- PCI Express x16 interface for VGA
- Supports 4 COM Port and GPIO



## Specifications

Processor System	CPU (65nm)	Intel® Core™ 2 Duo	Intel® Core™ Solo
	Max. Speed	2.6 GHz	1.5 GHz
	L2 Cache	2 MB/4 MB	1 MB
	Chipset	Intel GME965 + ICH8M	
	BIOS	AMI 16 Mbit SPI	
	Front Side Bus	533 / 800 MHz	
Expansion Slot	PCIe x16	4.0 GB/s per direction, 1 slot	
	PCIe x4	1.0 GB/s per direction, 1 slot	
	PCI	32-bit/33 MHz, 2 slots	
Memory	Technology	Dual channel DDR2 533/667 SDRAM	
	Max. Capacity	4 GB	
	Socket	240-pin DIMM x 2	
Graphic	Embedded	Chipset integrated VGA controller sharing 256 MB system memory	
	LVDS	Supports single channel 24-bit dual channel 48-bit	
	TV-Out	Supports both S-video and composite video (TV-out function is not supported during POST stage)	
	Dual Display	VGA + LVDS	
Ethernet	Interface	10/100/1000 Base-T	
	Controller	G-LAN1: Intel 82566MM G-LAN2: Intel 82573L	
	Connector	RJ-45 x 2	
SATA	Max. Data Transfer Rate	300 MB/s	
	Channel	3	
EIDE	Mode	ATA 100/66/33	
	Channel	1 (Max. two devices)	
I/O Interface	VGA	1	
	LAN	1 (for VG version); 2 (for G2 vesion)	
	USB	8 (USB 2.0, 480Mbps; 4 external ports and 4 onboard pin headers)	
	Audio	2 (Line-Out and Mic-In)	
	Serial	4 (3 of RS-232, 1 of RS-232/422/485).	
	Parallel	1 (SPP/EPP/ECP)	
	FDD	1	
	GPIO	8 bit GPIO	
Watchdog Timer	Output	System reset	
	Interval	Programmable 1 ~ 255 sec.	
Power Requirement	Typical	TBD	
Environment		Operating	
	Temperature	0 ~ 60° C (32 ~ 140° F), depends on CPU's speed and cooler solution.	
Physical Characteristics	Dimensions (W x D)	244 mm x 244 mm (9.6" x 9.6")	

### Block Diagram



### Ordering Information

Part Number	Gigabit LAN	VGA
AIMB-556G2-00A1E	Dual	Yes

\*AIMB-556 cannot be installed in ACP-2000MB chassis

### Bracket View



AIMB-556G2-00A1E

### Riser Card

Part Number	Description
AIMB-R430P-03A1E	2U riser card with 3 PCI slot expansion
AIMB-R4301-03A1E	2U riser card with 3 PCIe x 1 slot expansion
AIMB-R4104-01A1E	1U riser card with 1 PCIe x 4 slot expansion

### Packing List

Part Number	Description	Quantity
1700340640	FDD cable	x 1
1701400452	IDE HDD cable	x 1
1700003194	Serial ATA HDD data cable	x 2
1703150102	Serial ATA HDD power cable	x 2
1701090401	COM port cable kit	x 3
9689000068	Jumper pack	x 1
1960004027	I/O port bracket	x 1
2002055610	Startup manual	x 1
2066000E10	Utility CD	x 1
1750000348	CPU cooler (for 1U and 2U+ chassis)	x 1

### Accessories

Part Number	Description
1700002314	USB cable with four ports, 30.5cm
1700002204	USB cable with dual ports, 27cm
1700003195	USB cable with dual ports, 17.5cm