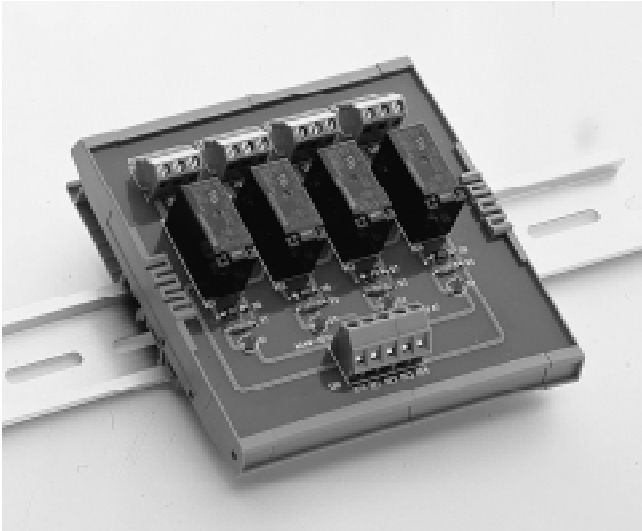


ADAM-3854

4-channel DIN-rail Mounting Power Relay Module



Features

- High power relays can handle up to 5 A @ 250 V_{AC} and 5 A @ 30 V_{DC}
- 4 single-pole double-throw (SPDT) relays
- Industrial screw terminals for easy output wiring
- LED status indicators
- On-board varistor protects relay contact points
- DIN-rail mounting

Introduction

ADAM-3854 features four industrial SPDT (Form C) electromechanical power relays and a DIN-rail mount. Each of the relays is controlled by a +24 V_{DC} digital signal and is equipped with an adjacent LED to display its status. Each output is equipped with a varistor that shunts the surge voltage of an inductive load or electromagnetic brake to protect the relay contact points.

All the relay outputs and relay controls are accessible through wiring terminals, allowing the ADAM-3854 to be easily connected to any item of equipment or device such as programmable logic controllers (PLCs).

Applications

- Signal switching
- On/Off control
- Valve/solenoid control
- Annunciation control
- Alarm activation

Specifications

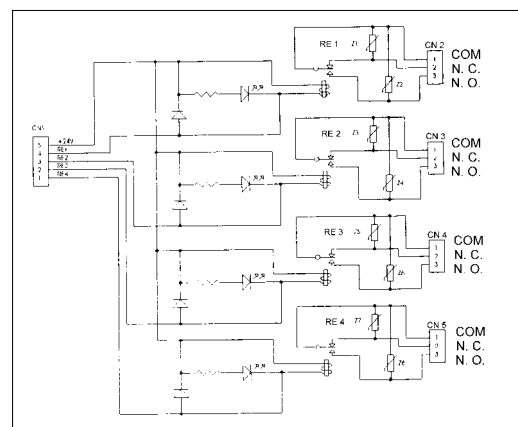
- Channels: 4
- Relay type: SPDT (Form C)
- Contact rating: AC: 250 V @ 5 A
DC: 30 V @ 5 A
- Contact resistance: 100 m Ω
- Operation time: 15 msec. max.
- Release time: 5 msec. max.
- Life expectancy: 1.7×10^5 at rated load
- Power requirements: +24 V_{DC}

- Power consumption: 2.2 W
- Dimensions: 112.5 mm (L) x 118.4 mm (W) x 46 mm (H) (4.43" x 4.66" x 1.81")

Varistor

- Maximum applied voltage: 300 V_{RMS}
- Varistor voltage: 470 V (current = 1 mA)
- Clamping voltage: 760 V (10 A)
- Max. peak current: 1200 A for 8 msec

Basic Function Diagram



Ordering Information

- ADAM-3854
4-channel DIN-rail Mounting Power Relay Module